

8 7 6 5 4 3 2 1

D

C

B

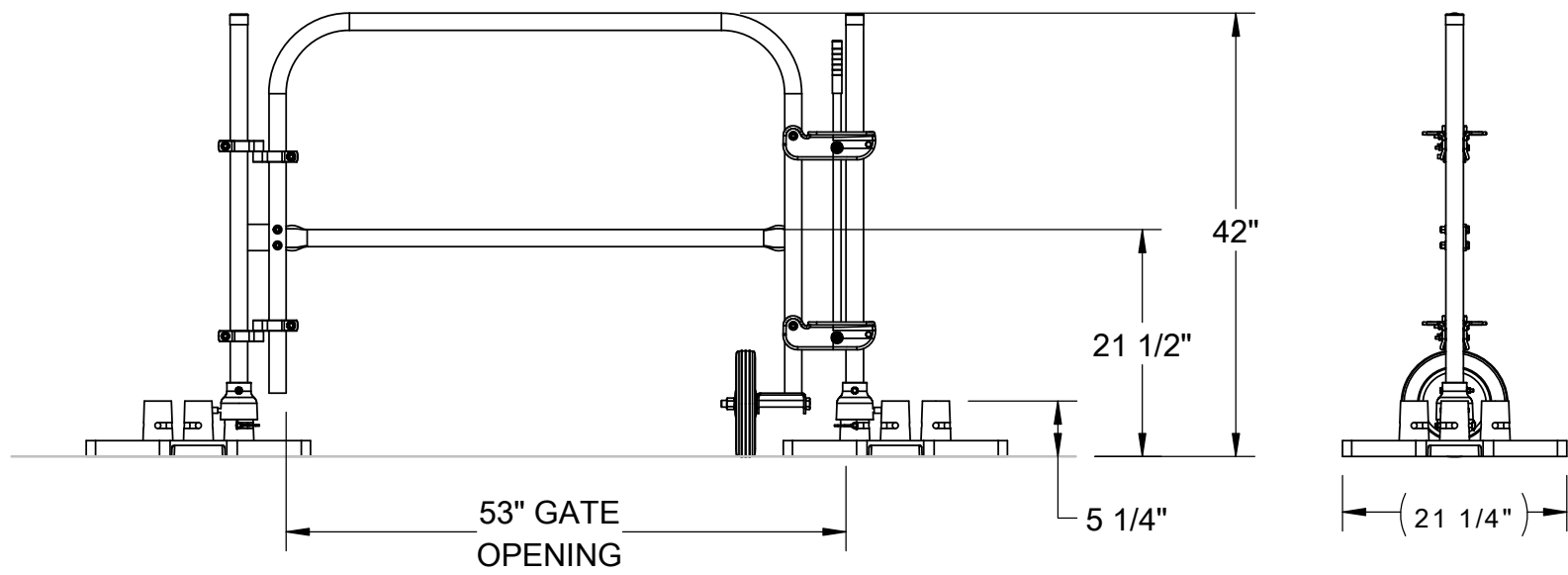
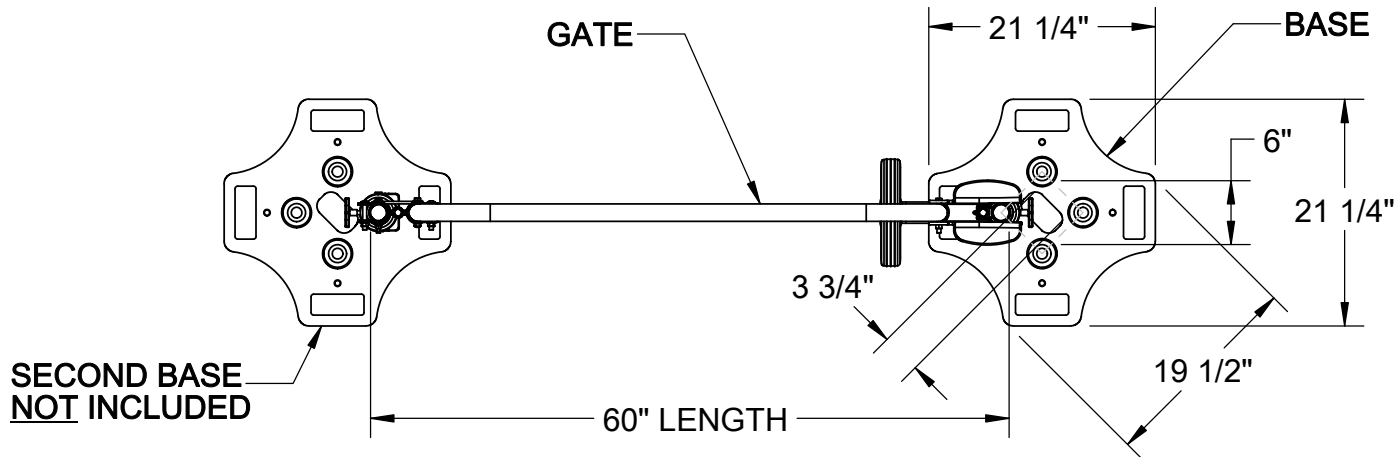
A


D

C

B

A



		DESCRIPTION 5' GATE KIT - SAFETY RAIL 2000	
		Tel : 952-448-2935 Toll Free : 866-933-2935 Fax : 952-448-3685 info@bluewater-mfg.com www.safetypg.com	
SIZE A	DWG. NO. 500010	REV A	
SCALE: DO NOT SCALE		SHEET 1 OF 1	

8 7 6 5 4 3 2 1