

8 7 6 5 4 3 2 1

D

D

C

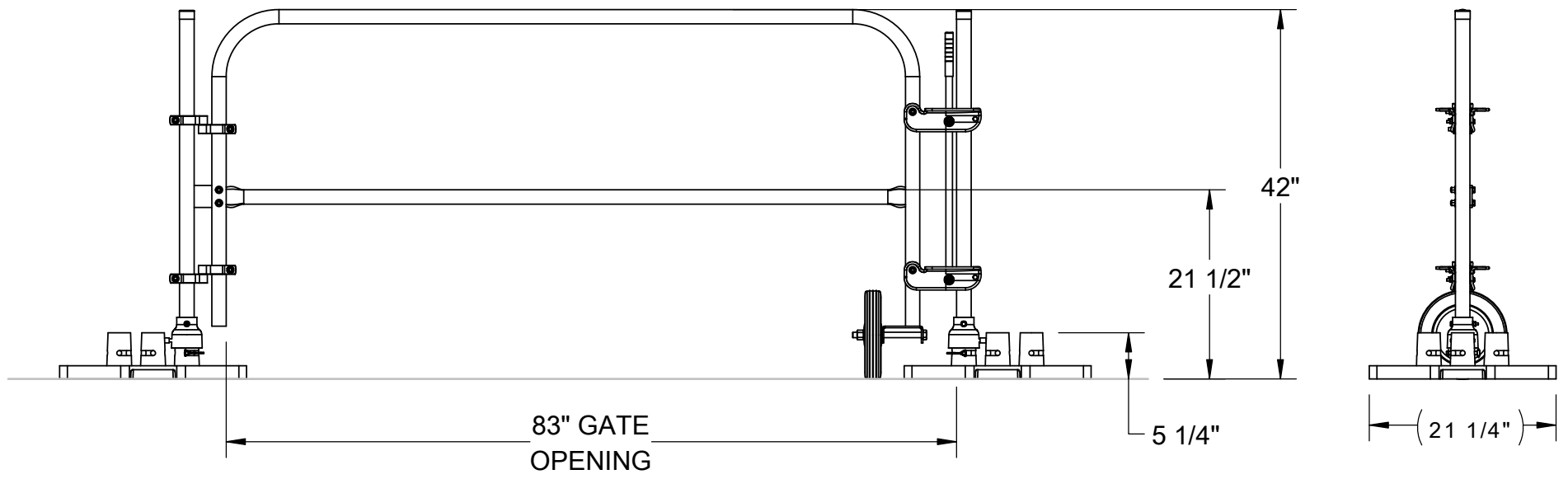
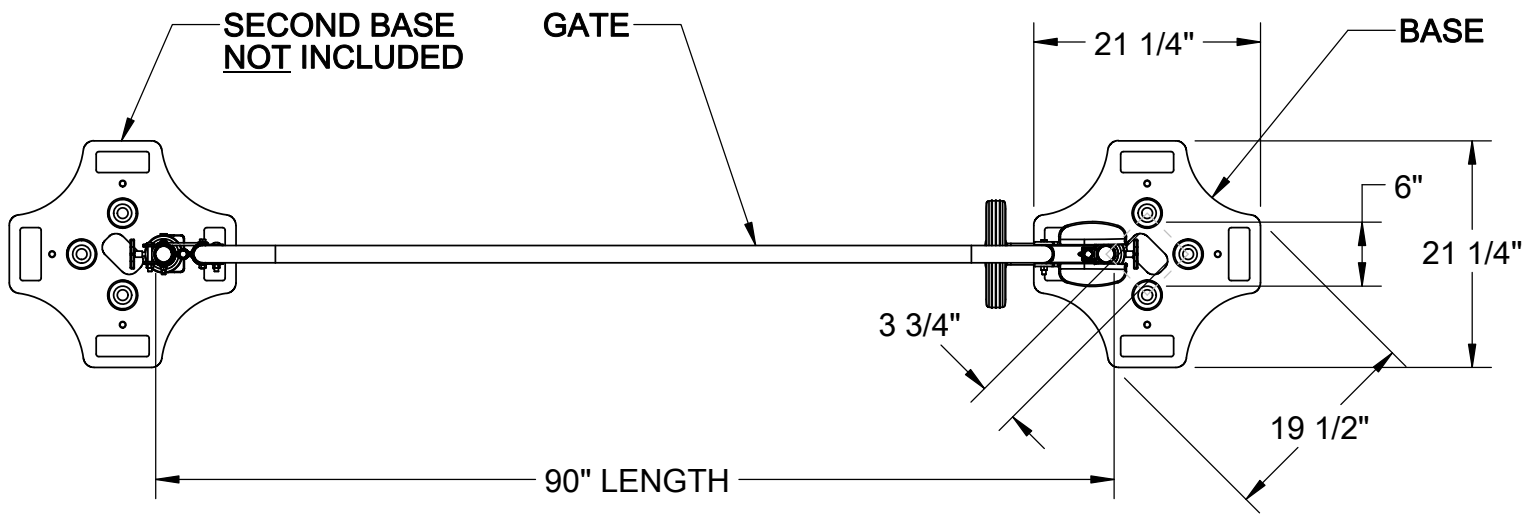
C

B

B

A

A



 <p>Safety Products Group™ by Tractel®</p> <p>BlueWater</p> <p>4064 PEAVEY ROAD CHASKA, MN 55318</p>		DESCRIPTION <p>7.5' GATE KIT - SAFETY RAIL 2000</p>	
		Tel : 952-448-2935 Toll Free : 866-933-2935 Fax : 952-448-3685 info@bluewater-mfg.com www.safetypg.com	SIZE A
SCALE: DO NOT SCALE		SHEET 1 OF 1	

8 7 6 5 4 3 2 1