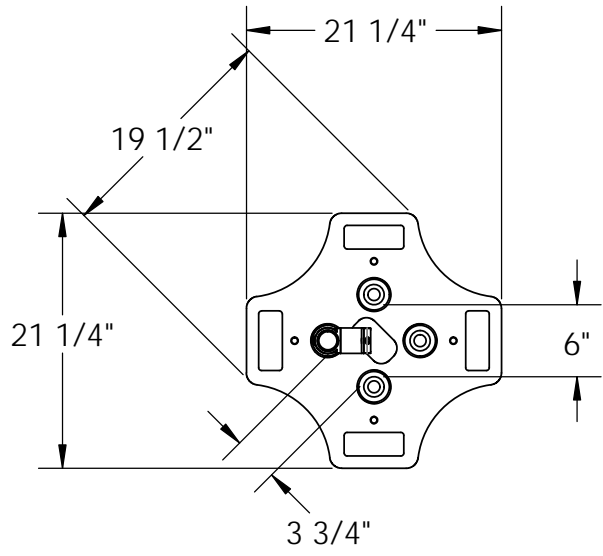


8 7 6 5 4 3 2 1

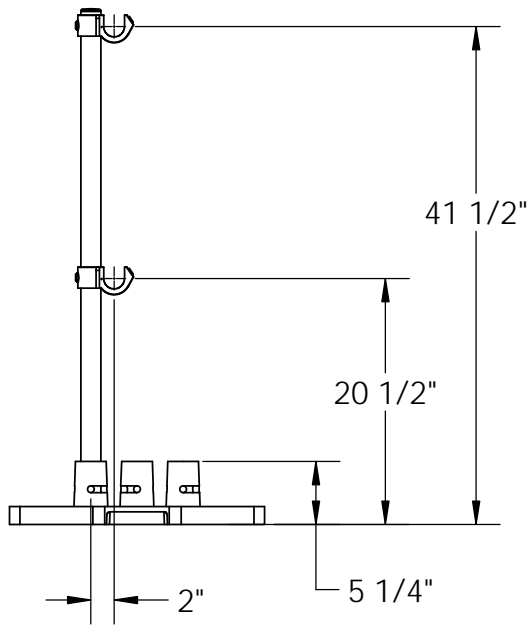
D

D



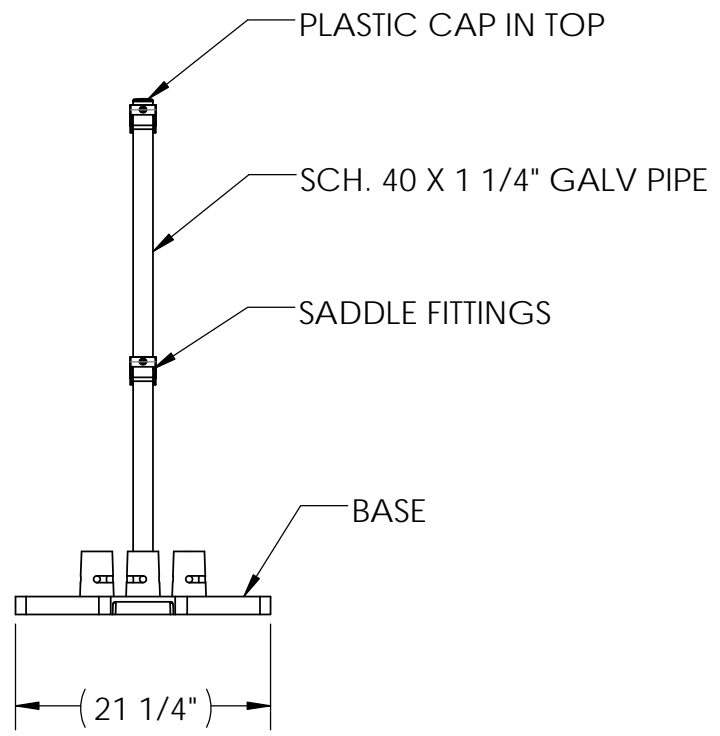
C

C



B

B



A

A

**Safety Products Group™**  
by Tractel®

**BlueWater**

4064 PEAVEY ROAD  
CHASKA, MN 55318

Tel : 952-448-2935  
Toll Free : 866-933-2935  
Fax : 952-448-3685  
info@bluewater-mfg.com  
www.safetypg.com

DESCRIPTION		
ARCH. SERIES INTERMEDIATE KIT, STRAIGHT		
SIZE A	DWG. NO. 502002	REV. A
SCALE: DO NOT SCALE		SHEET 1 OF 1

8 7 6 5 4 3 2 1