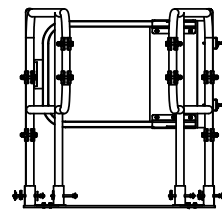
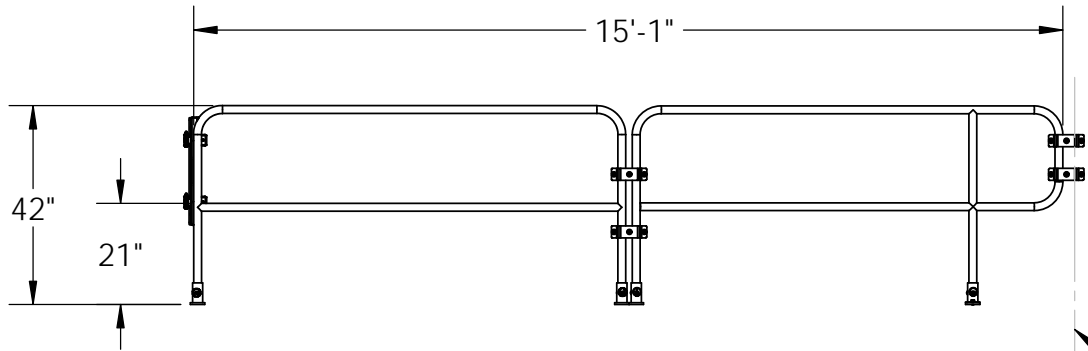


OPTIONAL
SELF CLOSING
GATE

35 3/4"
REAR
OPENING

17" TO 28"
ADJUSTABLE
TO LADDER
WIDTH

BRACKET KIT
AVAILABLE STYLES
* RAIL TO RAIL
* RAIL TO FLAT BAR
* RAIL TO ANGLE
* RAIL TO SQUARE



BUILDING EDGE
(LADDER ACCESS)

NOTES:

1. THE LADDER DEFENDER IS INTENDED AS A STAND ALONE PRODUCT FOR ROOF ACCESS EGRESS. SEE 4 POST MODEL FOR WARNING LINE INTEGRATION.



4064 PEAVEY ROAD
CHASKA, MN 55318

Tel : 952-448-2935
Toll Free : 866-933-2935
Fax : 952-448-3685
info@bluewater-mfg.com
www.safetypg.com

DESCRIPTION			
LADDER DEFENDER, 15 FT			
SIZE A	DWG. NO.	500481	REV A
SCALE: DO NOT SCALE		SHEET	1 OF 1