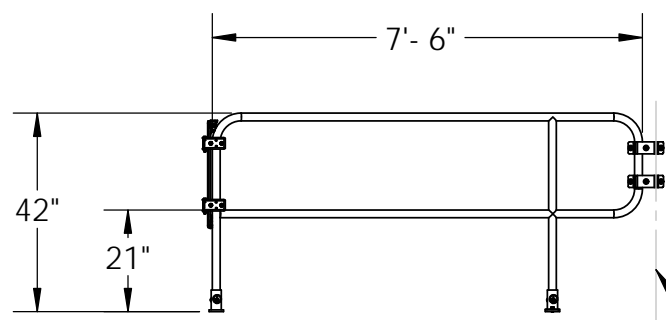


35 1/2"

17" TO 28"
ADJUSTABLE
TO LADDER
WIDTH

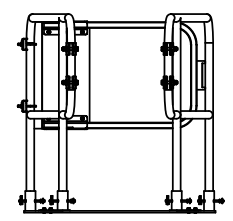


7'-6"

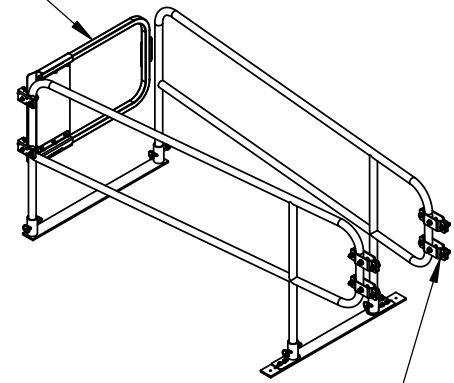
42"

21"

BUILDING EDGE
(LADDER ACCESS)



OPTIONAL
SELF CLOSING
GATE



BRACKET KIT
AVAILABLE STYLES
* RAIL TO RAIL
* RAIL TO FLAT BAR
* RAIL TO ANGLE
* RAIL TO SQUARE

NOTES:

1. THE LADDER DEFENDER IS INTENDED AS A STAND ALONE PRODUCT FOR ROOF ACCESS EGRESS.



4064 PEAVEY ROAD
CHASKA, MN 55318

Tel : 952-448-2935
Toll Free : 866-933-2935
Fax : 952-448-3685
info@bluewater-mfg.com
www.safetypg.com

DESCRIPTION			
LADDER DEFENDER, 7.5 FT			
SIZE A	DWG. NO.	500474	REV. A
SCALE: DO NOT SCALE		SHEET	1 OF 1