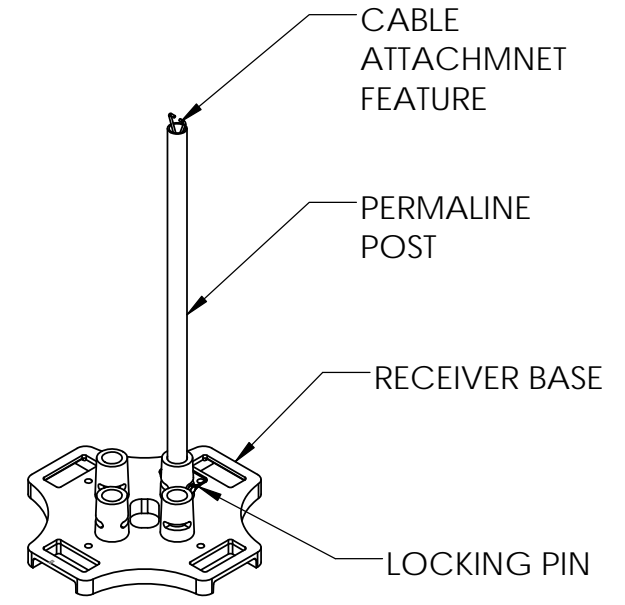
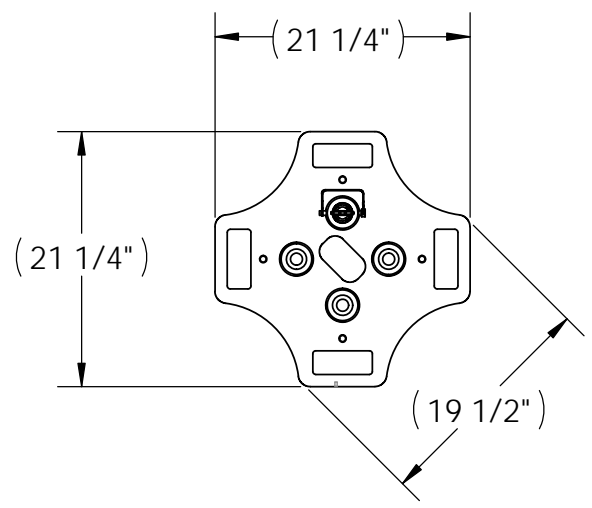


8 7 6 5 4 3 2 1

D

D

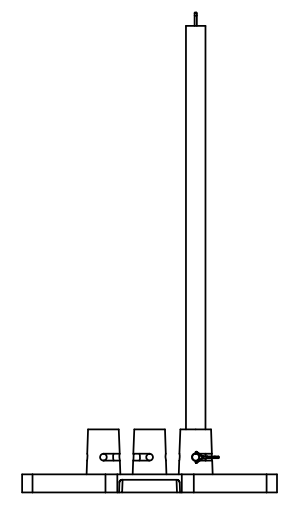
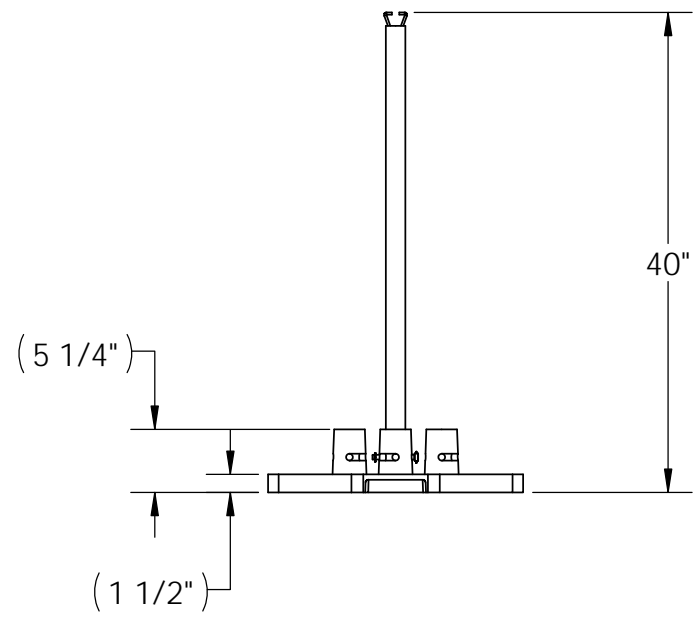


C

C

B

B



NOTE: PERMALINE POSTS ARE TO BE LAID OUT AS FOLLOWS; 15 FT. SPACING AT THE BEGINNING AND END OF RUNS, 30 FT. MAXIMUM SPACING BETWEEN POSTS, LP OUTRIGGERS USED AT CORNER TRANSITIONS.

A

A

8 7 6 5 4 3 2 1

Safety Products Group™
by Tractel®

BlueWater

4064 PEAVEY ROAD
CHASKA, MN 55318

Tel : 952-448-2935
Toll Free : 866-933-2935
Fax : 952-448-3685
info@bluewater-mfg.com
www.safetypg.com

DESCRIPTION			
PERMALINE POST KIT			
SIZE A	DWG. NO. 502030	REV. A	
SCALE: DO NOT SCALE		SHEET	1 OF 1