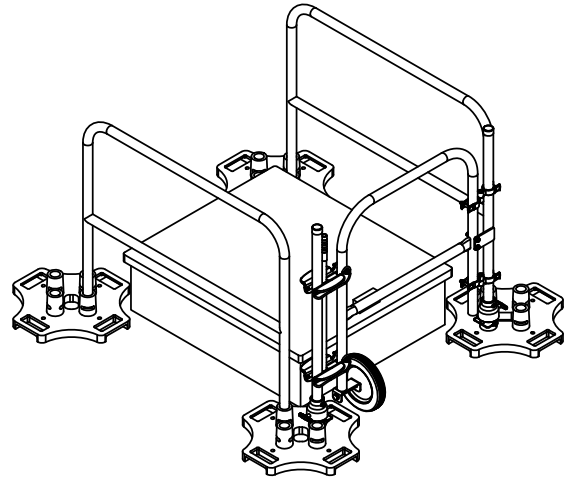
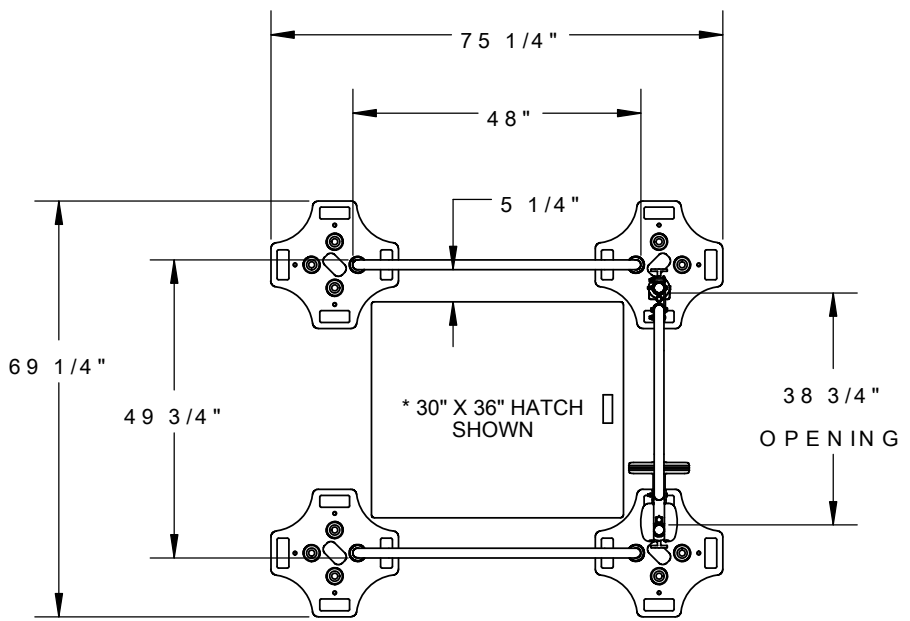


D

D

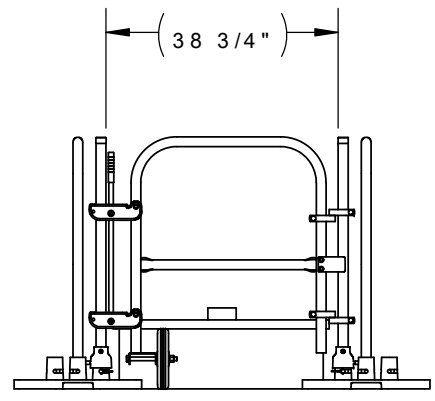
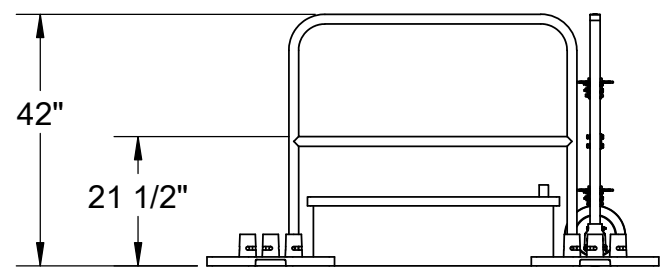


C

C

B

B





A

A

**THIS KIT WILL FIT THE FOLLOWING
ROOF HATCHES.**
30" X 30"
30" X 36"

*** ROOF HATCH NOT SUPPLIED BY BLUEWATER MFG.
PRE-EXISTING OR SUPPLIED BY OTHERS.**

 Safety Products Group™ by Tractel®  BlueWater 4064 PEAVEY ROAD CHASKA, MN 55318	DESCRIPTION HATCH KIT - 30" X 30"/36" SAFETY RAIL 2000	
	Tel : 952-448-2935 Toll Free : 866-933-2935 Fax : 952-448-3685 info@bluewater-mfg.com www.safetypg.com	DWG. NO. 500040
SCALE: DO NOT SCALE		SHEET 1 OF 1