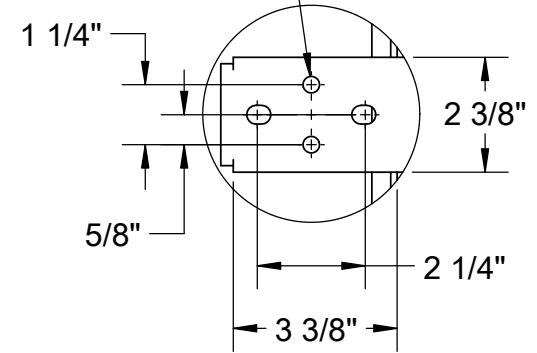
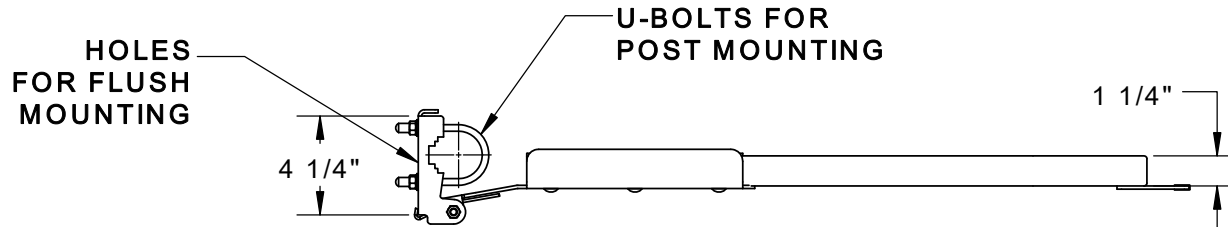
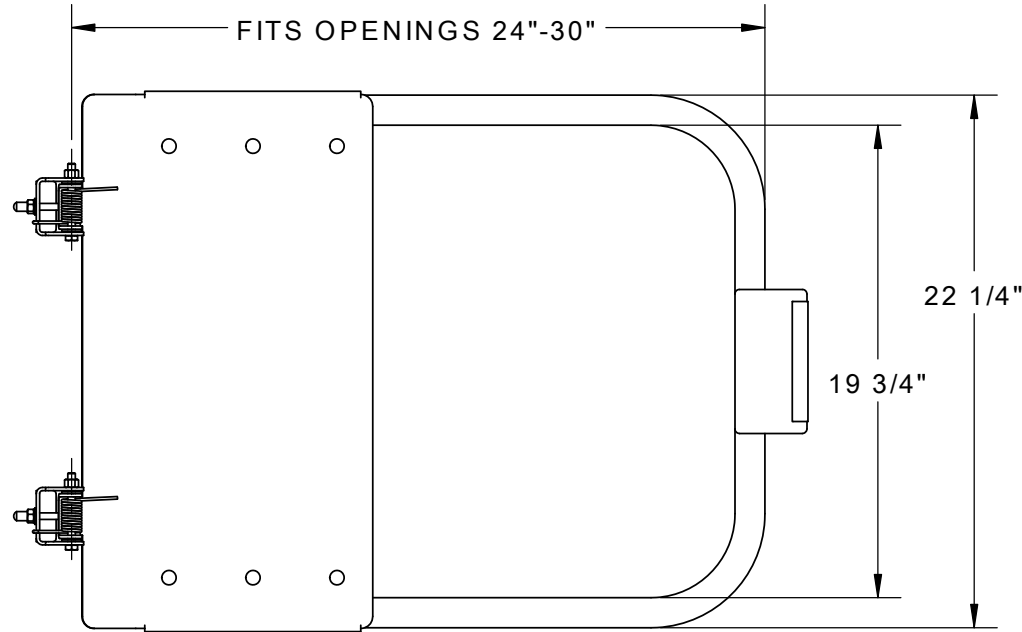
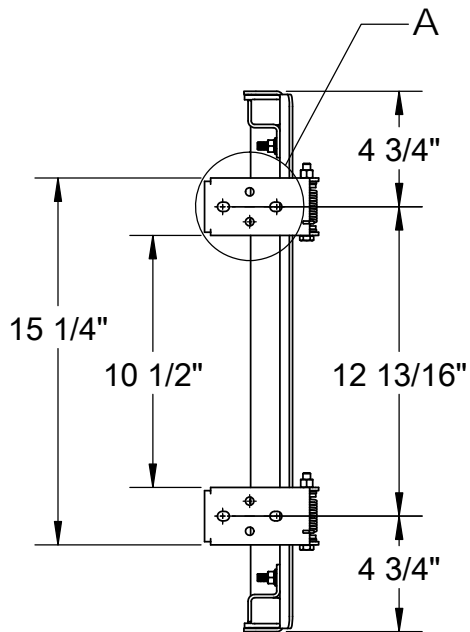


PART NUMBER	DESCRIPTION	MATERIAL	FINISH
500367	SELF CLOSING GATE - 27" (Y)	STEEL	POWDER COAT
500380	SELF CLOSING GATE- 27" (G)	STEEL	GALVANIZED
500385	SELF CLOSING GATE- 27" (SS)	STAINLESS STEEL	PLAIN
500390	SELF CLOSING GATE- 27" (SS) CAPPED	STAINLESS STEEL	PLAIN



DETAIL A
FLUSH MOUNT HOLES
SCALE 1 : 4
TYP. (2) PLACES



4064 PEAVEY ROAD
CHASKA, MN 55318

Tel : 952-448-2935
Toll Free : 866-933-2935
Fax : 952-448-3685
info@bluewater-mfg.com
www.safetypg.com

DESCRIPTION		
SELF CLOSING GATE - 27", SPECIFICATIONS		
SIZE A	DWG. NO. SEE DRAWING	REV. A
SCALE: DO NOT SCALE		SHEET 1 OF 1