

PART NUMBER	DESCRIPTION	MATERIAL	FINISH
500369	SELF CLOSING GATE- 39" (Y)	STEEL	POWDER COAT
500382	SELF CLOSING GATE- 39" (G)	STEEL	GALVANIZED
500387	SELF CLOSING GATE- 39" (SS)	STAINLESS STEEL	PLAIN
500392	SELF CLOSING GATE- 39" (SS) CAPPED	STAINLESS STEEL	PLAIN

D

D

C

C

B

B

A

A

HOLES FOR FLUSH MOUNTING

U-BOLTS FOR POST MOUNTING

4X HOLES FOR ϕ 5/16" FASTENERS

1 1/4"

5/8"

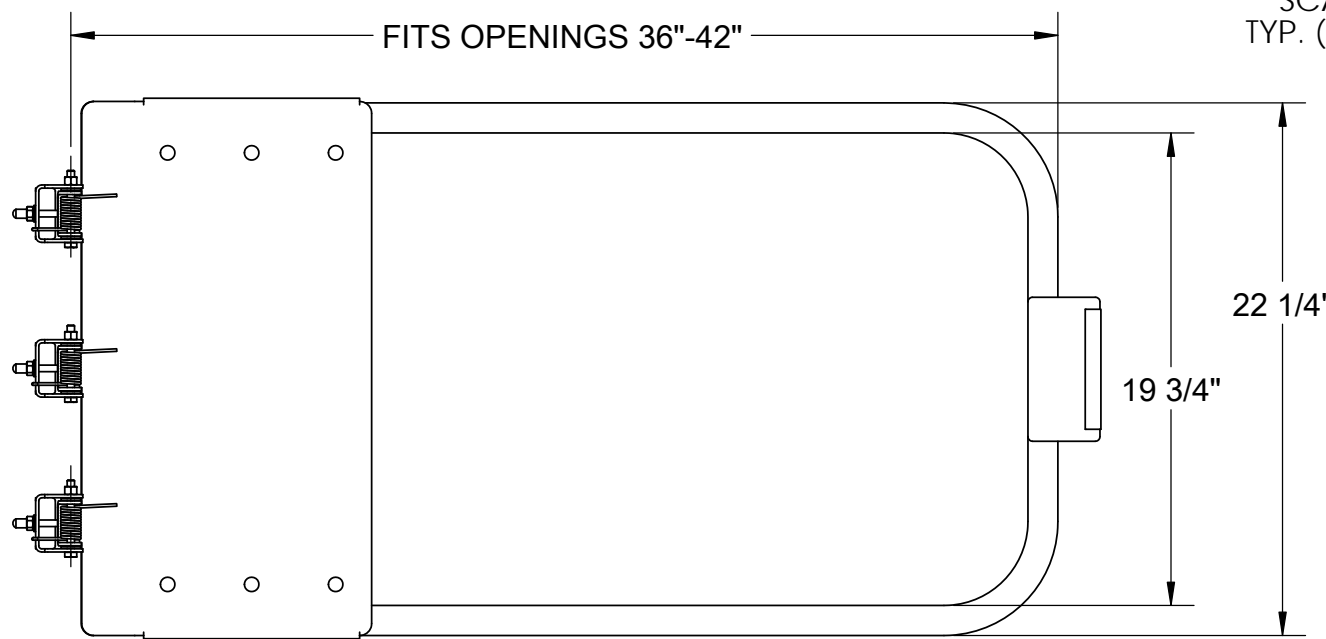
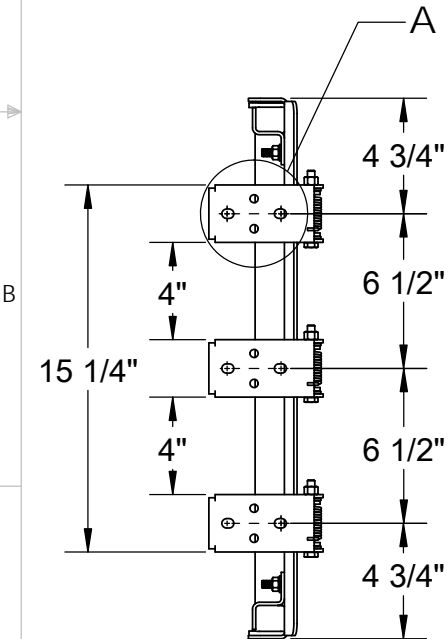
2 1/4"

1 1/4"

DETAIL A
FLUSH MOUNT HOLES
SCALE 1 : 4
TYP. (3) PLACES

4 1/4"

FITS OPENINGS 36"-42"



4064 PEAVEY ROAD
CHASKA, MN 55318

Tel : 952-448-2935
Toll Free : 866-933-2935
Fax : 952-448-3685
info@bluewater-mfg.com
www.safetypg.com

DESCRIPTION		
SELF CLOSING GATE - 39", SPECIFICATIONS		
SIZE A	DWG. NO. SEE DRAWING	REV. A
SCALE: DO NOT SCALE		SHEET 1 OF 1

8

7

6

5

4

3

2

1