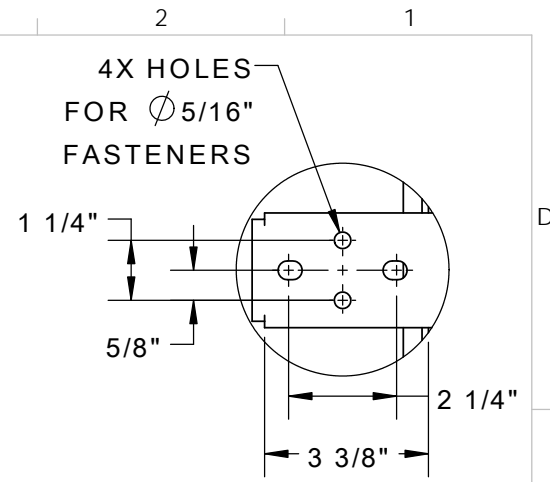


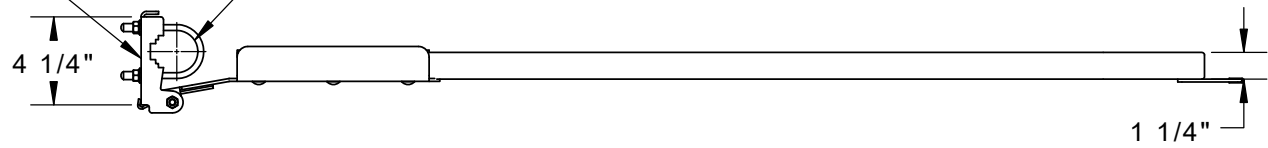
PART NUMBER	DESCRIPTION	MATERIAL	FINISH
500370	SELF CLOSING GATE- 45" (Y)	STEEL	POWDER COAT
500383	SELF CLOSING GATE- 45" (G)	STEEL	GALVANIZED
500388	SELF CLOSING GATE- 45" (SS)	STAINLESS STEEL	PLAIN
500393	SELF CLOSING GATE- 45" (SS) CAPPED	STAINLESS STEEL	PLAIN



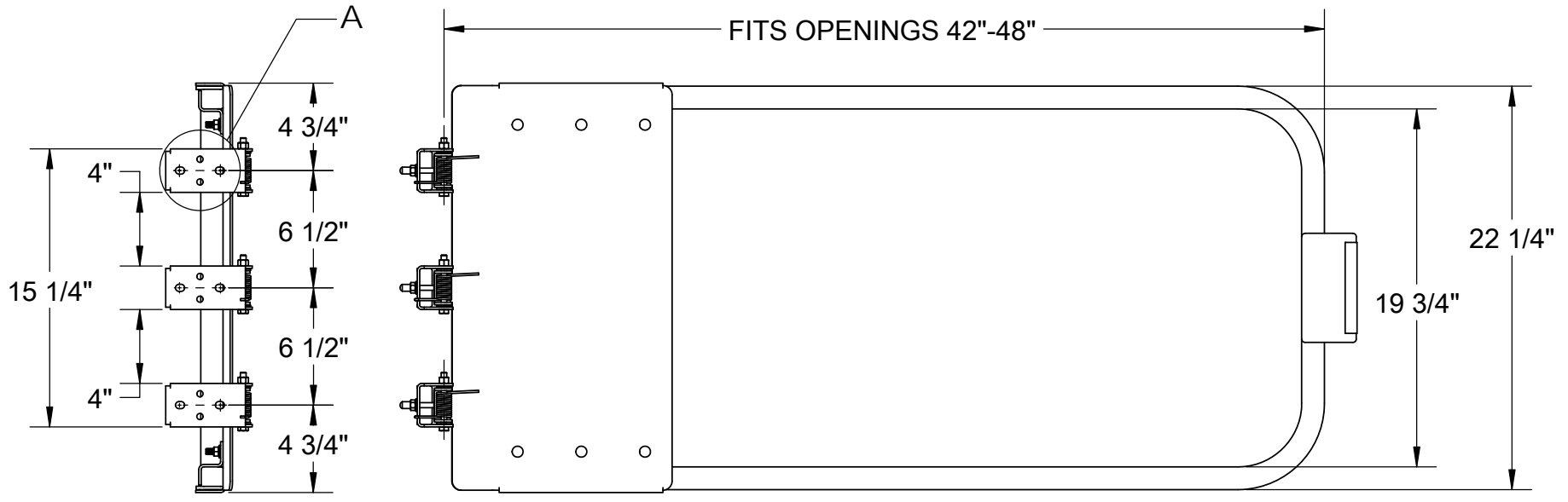
DETAIL A  
FLUSH MOUNT HOLES  
SCALE 1 : 4  
TYP. (3) PLACES

HOLES FOR FLUSH MOUNTING

U-BOLTS FOR POST MOUNTING



FITS OPENINGS 42"-48"



4064 PEAVEY ROAD  
CHASKA, MN 55318

Tel : 952-448-2935  
Toll Free : 866-933-2935  
Fax : 952-448-3685  
info@bluewater-mfg.com  
www.safetypg.com

DESCRIPTION		
SELF CLOSING GATE - 45", SPECIFICATIONS		
SIZE A	DWG. NO. SEE DRAWING	REV. A
SCALE: DO NOT SCALE	SHEET 1 OF 1	