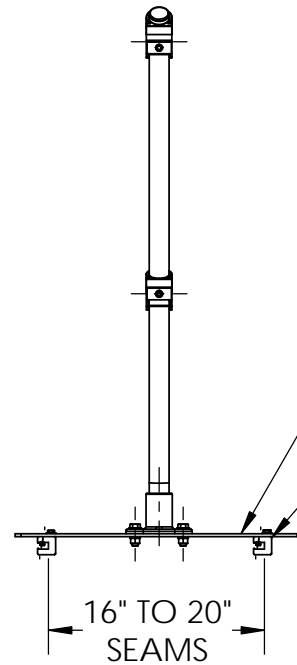
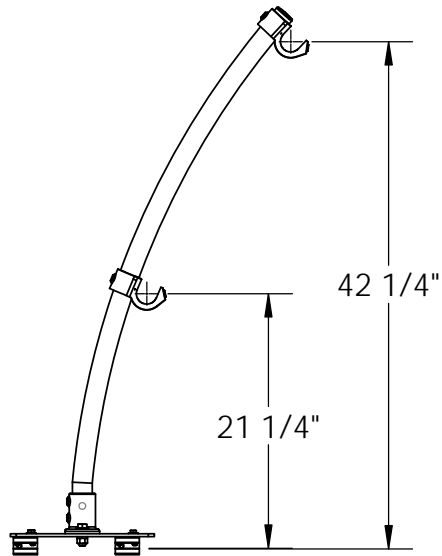


PLAN VIEW
STANCHION ROTATED 90°



OTHER SEAM PLATE
SIZES ARE AVAILABLE

S5 SEAM CLAMPS ARE
AVAILABLE IN DIFFERENT
STYLES



4064 PEAVEY ROAD
CHASKA, MN 55318

Tel : 952-448-2935
Toll Free : 866-933-2935
Fax : 952-448-3685
info@bluewater-mfg.com
www.safetypg.com

DESCRIPTION			
SG 18" CURVED KIT STANDING SEAM			
SIZE A	DWG. NO.	500651	REV. A
SCALE: DO NOT SCALE		SHEET 1 OF 1	