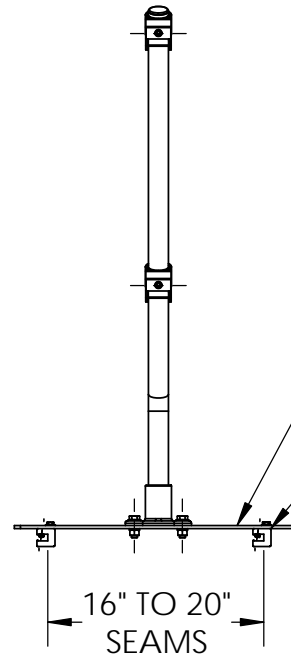
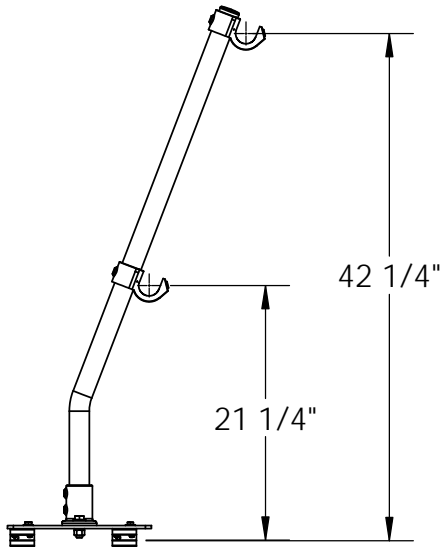


PLAN VIEW
STANCHION ROTATED 90°



OTHER SEAM PLATE
SIZES ARE AVAILABLE

S5 SEAM CLAMPS ARE
AVAILABLE IN DIFFERENT
STYLES



BlueWater

4064 PEAVEY ROAD
CHASKA, MN 55318

Tel : 952-448-2935
Toll Free : 866-933-2935
Fax : 952-448-3685
info@bluewater-mfg.com
www.safetypg.com

| DESCRIPTION | | | |
|--------------------------------------|----------|--------------|-----------|
| SG 18" INCLINED KIT STANDING SEAM | | | |
| SIZE A | DWG. NO. | 500650 | REV. A |
| SCALE: DO NOT SCALE | | SHEET 1 OF 1 | |