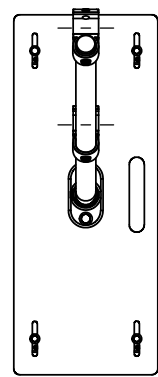
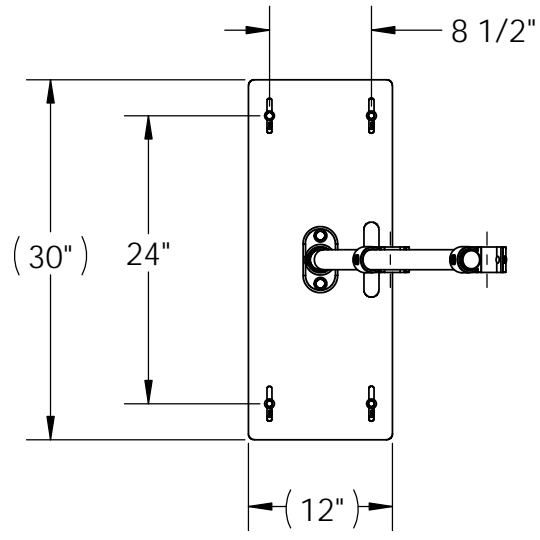


8 7 6 5 4 3 2 1

D

D



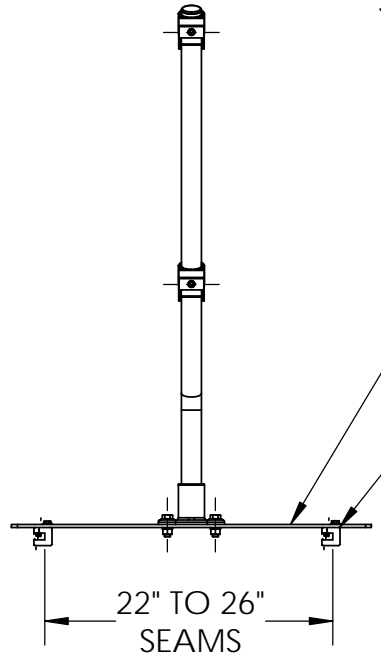
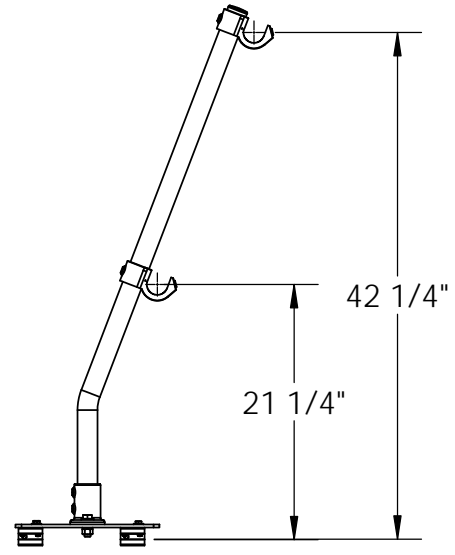
PLAN VIEW  
STANCHION ROTATED 90°

C

C

B

B



OTHER SEAM PLATE  
SIZES ARE AVAILABLE

S5 SEAM CLAMPS ARE  
AVAILABLE IN DIFFERENT  
STYLES

A

A

8 7 6 5 4 3 2 1

**Safety Products Group™**  
by Tractel®

**BlueWater**

4064 PEAVEY ROAD  
CHASKA, MN 55318

Tel : 952-448-2935  
Toll Free : 866-933-2935  
Fax : 952-448-3685  
info@bluewater-mfg.com  
www.safetypg.com

DESCRIPTION		
SG 24" INCLINED KIT STANDING SEAM		
SIZE A	DWG. NO. 500656	REV. A
SCALE: DO NOT SCALE		SHEET 1 OF 1