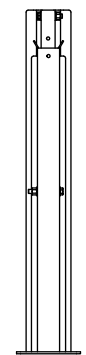
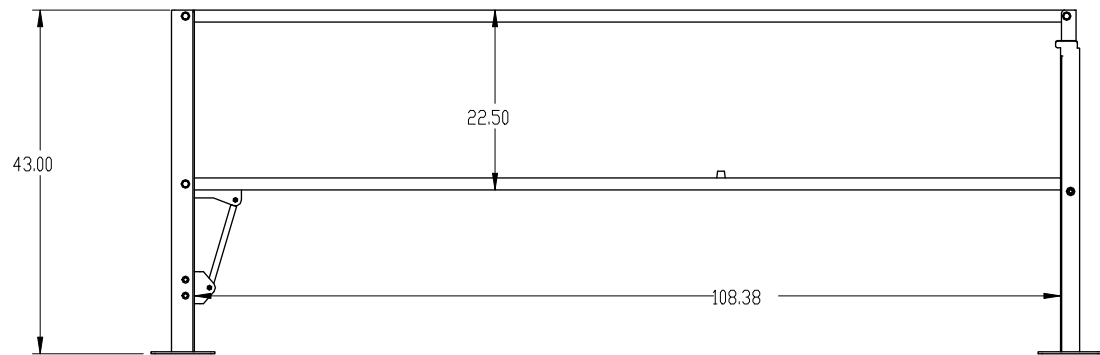
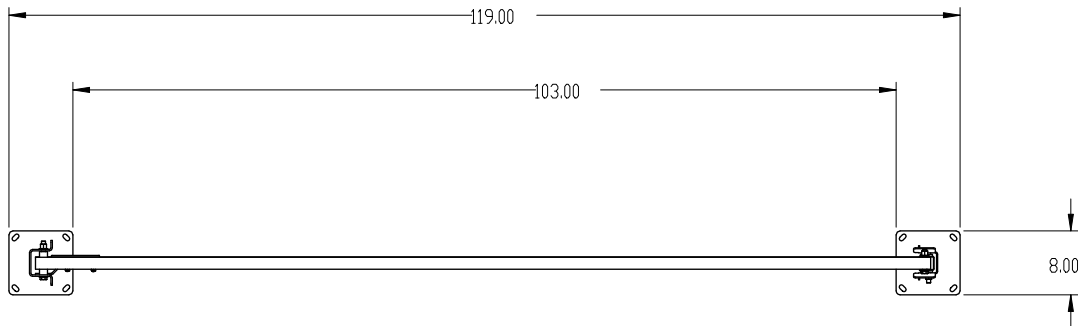



REVISIONS				
ZONE	REV.	DESCRIPTION	DATE	APPROVED



UNLESS OTHERWISE SPECIFIED:		NAME	DATE	 FabEnCo, Inc. 2002 Karbach Houston, Texas 77092 800-962-6111 www.safetygate.com
DIMENSIONS ARE IN INCHES		DRAWN	TJM	
TOLERANCES:		CHECKED		
FRACTIONAL ± 1/8		ENG APPR.		
ANGULAR: MACH ± .5° BEND ± 1°		MFG APPR.		
ONE PLACE DECIMAL ± .1				
TWO PLACE DECIMAL ± .03				
THREE PLACE DECIMAL ± .010				
INTERPRET GEOMETRIC TOLERANCE PER: ASME Y14.5M-1994		COMMENTS:		TITLE:
MATERIAL:				8' DOCK GATE
FINISH:		SIZE	DWG. NO.	REV
DO NOT SCALE DRAWING		B	DG14-96	
		SCALE: 1/16	WEIGHT:	SHEET 1 OF 1

PROPRIETARY AND CONFIDENTIAL
 THE INFORMATION CONTAINED IN THIS DRAWING IS THE SOLE PROPERTY OF BLUEWATER MFG, INC. ANY REPRODUCTION IN PART OR AS A WHOLE WITHOUT THE WRITTEN PERMISSION OF FABENCO, INC IS PROHIBITED.

8 7 6 5 4 3 2 1

D

C

B

A

8 7 6 5 4 3 2 1