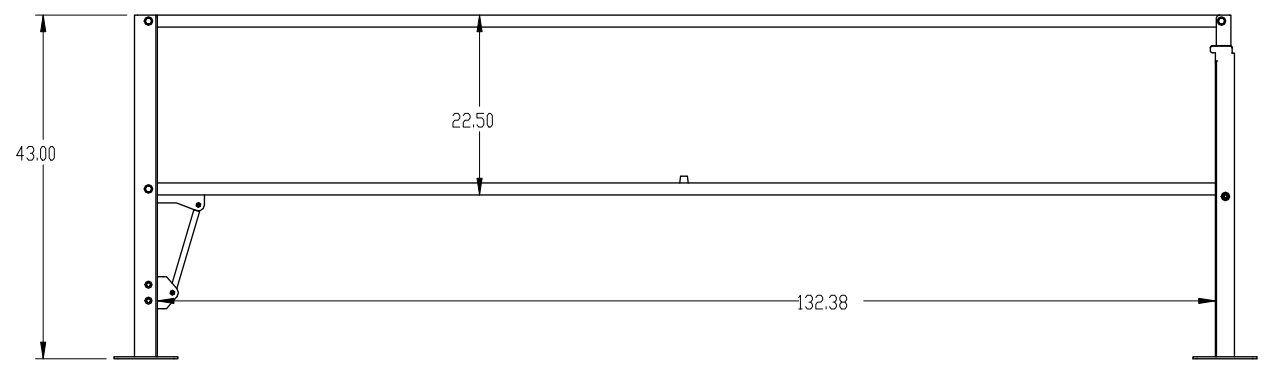
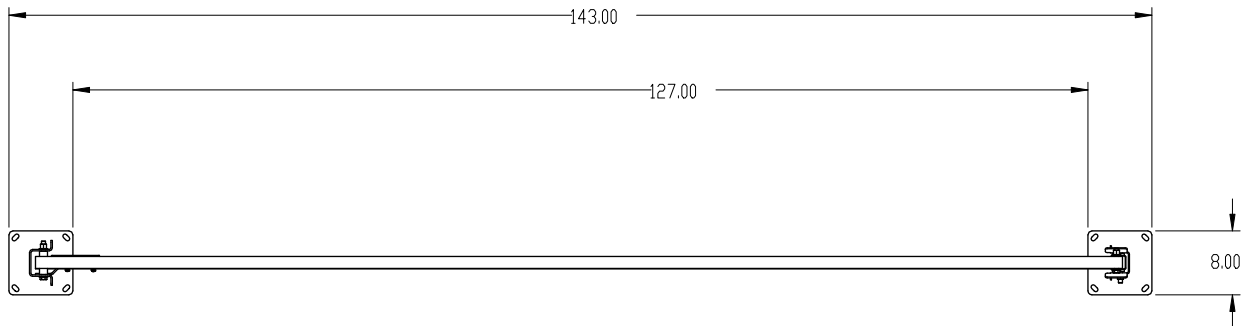


REVISIONS				
ZONE	REV.	DESCRIPTION	DATE	APPROVED



UNLESS OTHERWISE SPECIFIED:	NAME	DATE
DIMENSIONS ARE IN INCHES	DRAWN TJM	8/19/14
TOLERANCES:	CHECKED	
FRACTIONAL ± 1/8	ENG APPR.	
ANGULAR: MACH ± .5° BEND ± 1°	MFG APPR.	
ONE PLACE DECIMAL ± .1		
TWO PLACE DECIMAL ± .03		
THREE PLACE DECIMAL ± .010		


**FabEnCo, Inc.**  
 2002 Karbach  
 Houston, Texas 77092  
 800-962-6111  
[www.safetygate.com](http://www.safetygate.com)

TITLE: 10' DOCK GATE

PROPRIETARY AND CONFIDENTIAL  
 THE INFORMATION CONTAINED IN THIS  
 DRAWING IS THE SOLE PROPERTY OF  
 BLUEWATER MFG, INC. ANY REPRODUCTION  
 IN PART OR AS A WHOLE WITHOUT THE  
 WRITTEN PERMISSION OF FABENCO, INC  
 IS PROHIBITED.

MATERIAL	COMMENTS:
FINISH	
DO NOT SCALE DRAWING	

SIZE	DWG. NO.	REV
B	DG14-120	
SCALE: 1/16	WEIGHT:	SHEET 1 OF 1