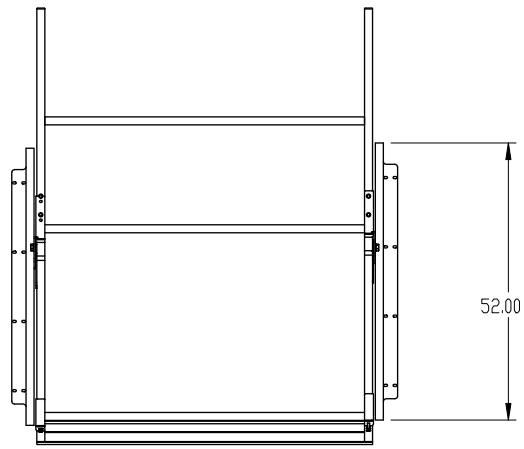
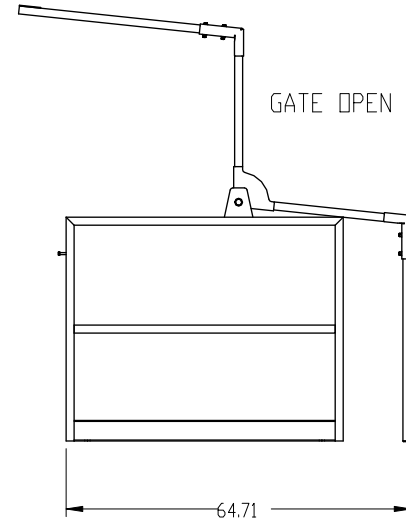
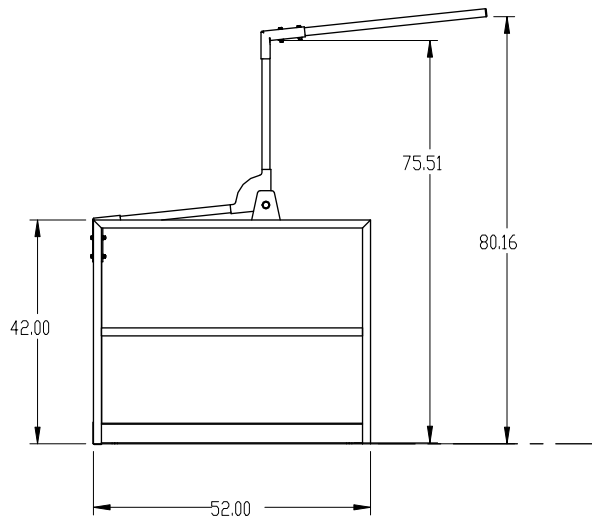
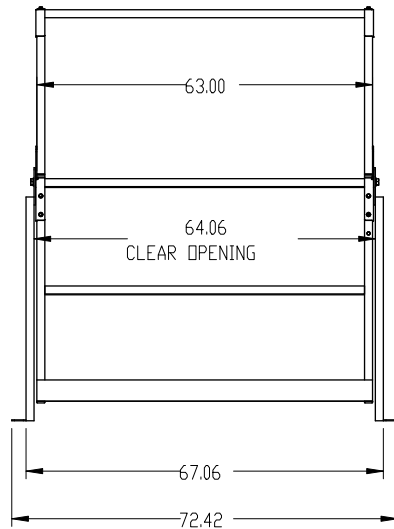


REVISIONS				
ZONE	REV.	DESCRIPTION	DATE	APPROVED



GATE CLOSED



GATE OPEN

UNLESS OTHERWISE SPECIFIED:

DIMENSIONS ARE IN INCHES
 TOLERANCES:
 FRACTIONAL ± 1/8
 ANGULAR: MACH ± .5° BEND ± 1°
 ONE PLACE DECIMAL ± .1
 TWO PLACE DECIMAL ± .03
 THREE PLACE DECIMAL ± .010

INTERPRET GEOMETRIC TOLERANCE PER: ASME Y14.5M-1994

MATERIAL: SEE BOM

FINISH: PC YELLOW

DO NOT SCALE DRAWING

	NAME	DATE
DRAWN	TJM	12/20/13
CHECKED		
ENG APPR.		
MFG APPR.		

FAB EN Co, Inc. 2002 Karbach
 Houston, Texas 77092
 800-962-6111
 www.safetygate.com

TITLE:
 Fab-MZ
 Dimensions

SIZE	DWG. NO.	REV
B	MZ14-64	A

SCALE: 1:48 WEIGHT: SHEET 1 OF 1

PROPRIETARY AND CONFIDENTIAL
 THE INFORMATION CONTAINED IN THIS DRAWING IS THE SOLE PROPERTY OF BLUEWATER MFG, INC. ANY REPRODUCTION IN PART OR AS A WHOLE WITHOUT THE WRITTEN PERMISSION OF FAB ENCO, INC IS PROHIBITED.

8 7 6 5 4 3 2 1

D C B A