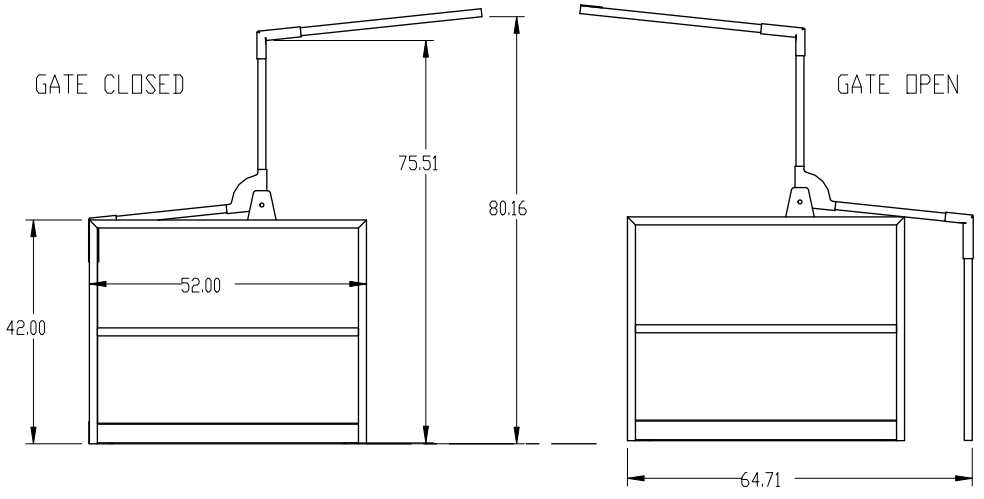
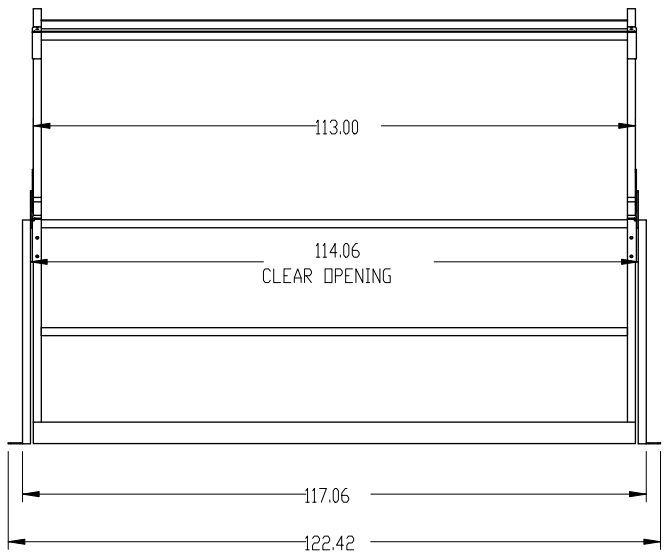
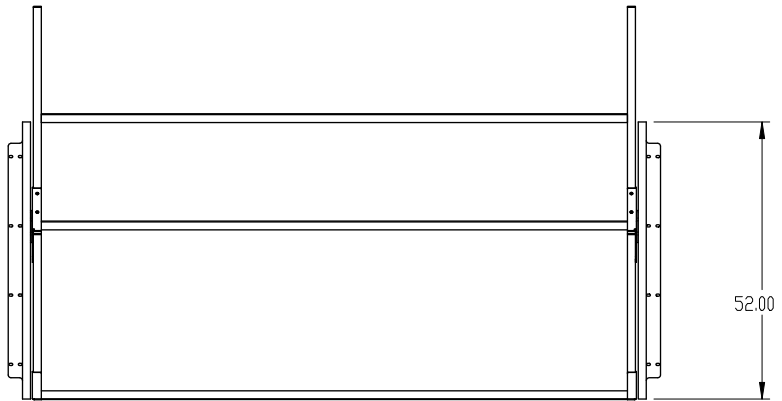


REVISIONS				
ZONE	REV.	DESCRIPTION	DATE	APPROVED



PROPRIETARY AND CONFIDENTIAL
 THE INFORMATION CONTAINED IN THIS DRAWING IS THE SOLE PROPERTY OF BLUEWATER MFG, INC. ANY REPRODUCTION IN PART OR AS A WHOLE WITHOUT THE WRITTEN PERMISSION OF FABENCO, INC IS PROHIBITED.

UNLESS OTHERWISE SPECIFIED:	NAME	DATE
DIMENSIONS ARE IN INCHES	DRAWN TJM	12/20/13
TOLERANCES:	CHECKED	
FRACTIONAL ± 1/8	ENG APPR.	
ANGULAR: MACH ± .5° BEND ± 1°	MFG APPR.	
ONE PLACE DECIMAL ± .1		
TWO PLACE DECIMAL ± .03		
THREE PLACE DECIMAL ± .010		
INTERPRET GEOMETRIC TOLERANCE PER: ASME Y14.5M-1994	COMMENTS:	
MATERIAL SEE BOM		
FINISH		
DO NOT SCALE DRAWING		

	2002 Karbach Houston, Texas 77092 800-962-6111 www.safetygate.com	
	TITLE: FAB-MZ DUAL	
SIZE B	DWG. NO. MZ14-113	REV A
SCALE: 1/48	WEIGHT:	SHEET 1 OF 1