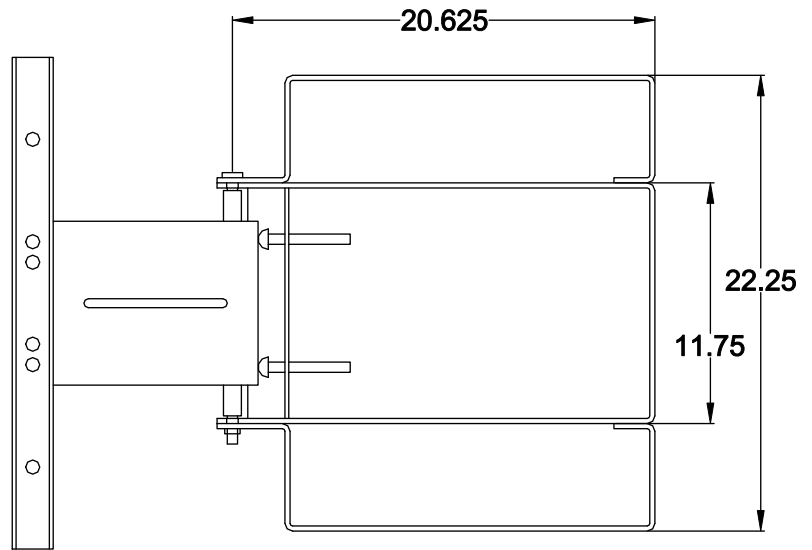
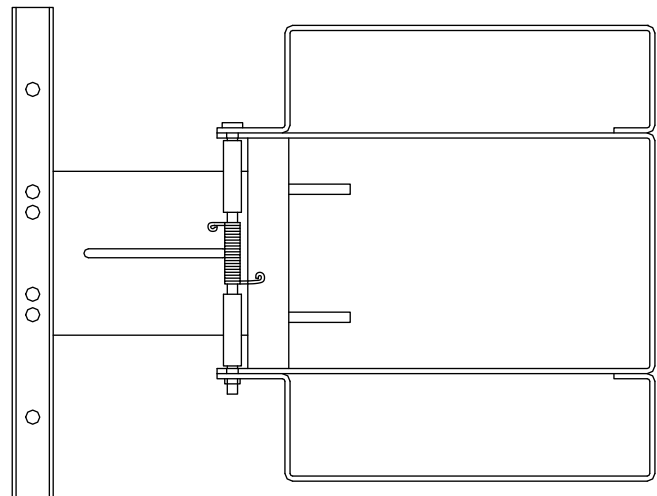


**Mounting Plate**  
8" x 12" x  $\frac{3}{8}$ "



**Flatbar**  
 $1\frac{1}{2}$ " x  $\frac{1}{4}$ "

**Angle**  
2" x 2" x  $\frac{3}{8}$ "



**Mounting Channels**  
(2) 24" x 2" x 1"