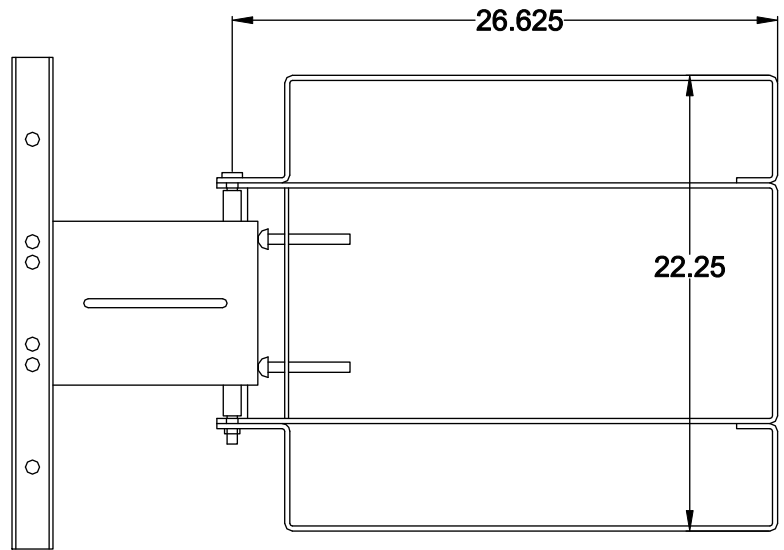
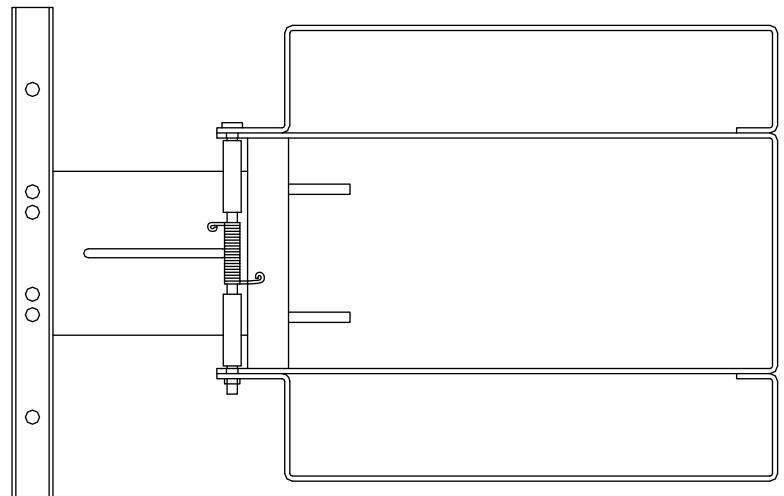


Mounting Plate
8" x 12" x 3/8"



Flatbar
1 1/2" x 1/4"

Angle
2" x 2" x 3/8"



Mounting Channels
(2) 24" x 2" x 1"