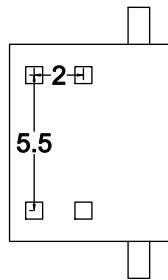
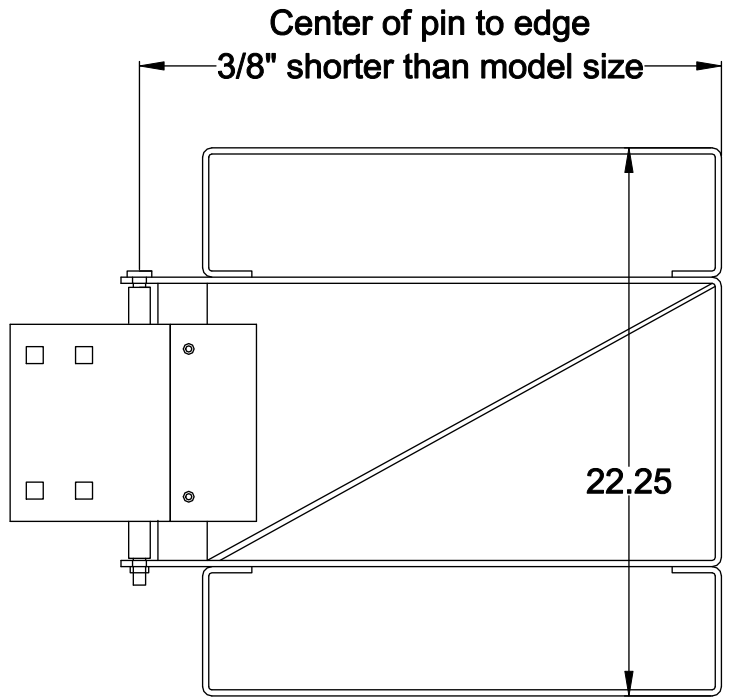


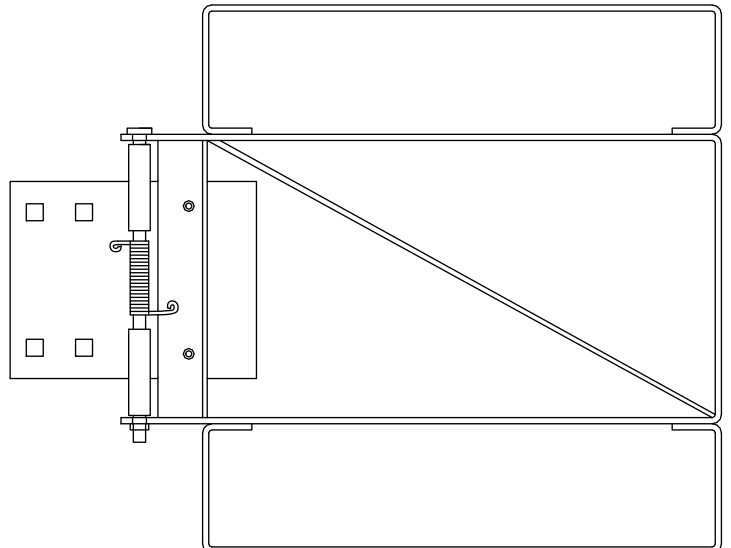
**Pipe Post Adapter**  
22" x 3" x 1/4"



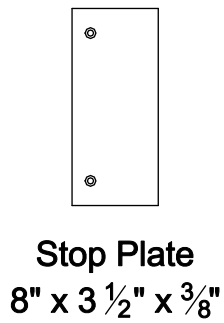
**Mounting Plate**  
8" x 6 1/2" x 3/8"  
1/16" square bolt holes



**Flat Bar**  
1 1/2" x 1/4"



**Angle**  
2" x 1 1/2" x 3/16"



**Stop Plate**  
8" x 3 1/2" x 3/8"