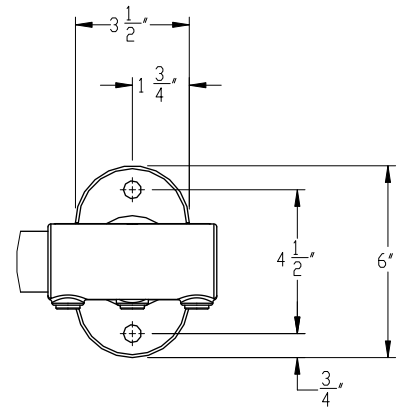
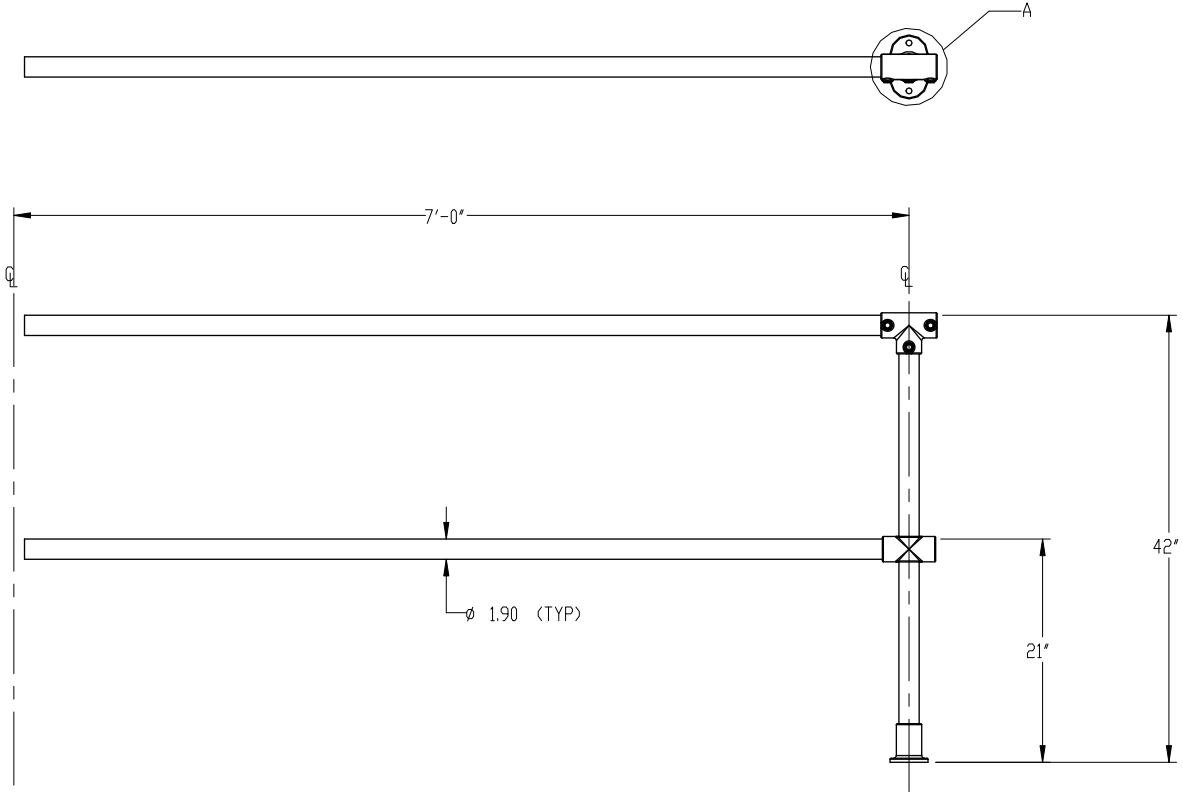


REVISIONS				
ZONE	REV.	DESCRIPTION	DATE	APPROVED



DETAIL A

UNLESS OTHERWISE SPECIFIED:		NAME	DATE	2002 Karbach Houston, Texas 77092 800-962-6111 www.safetysgate.com	
DIMENSIONS ARE IN INCHES		DRAWN	PAB	2/04/15	TITLE: 7' EXTENSION KIT FABRAIL (1.90 OD)
TOLERANCES:		CHECKED			
FRACTIONAL ± 1/8		ENG APPR.	PAB	2/04/15	
ANGULAR: MACH ± .5° BEND ± 1°		MFG APPR.			
ONE PLACE DECIMAL ± .1		COMMENTS:		SIZE	DWG. NO.
TWO PLACE DECIMAL ± .03				B	
THREE PLACE DECIMAL ± .010				SCALE: 1:12	WEIGHT:
INTERPRET GEOMETRIC TOLERANCE PER: ASME Y14.5M-1994				SHEET 1 OF 1	
MATERIAL				REV	A
FINISH					
DO NOT SCALE DRAWING					

PROPRIETARY AND CONFIDENTIAL
THE INFORMATION CONTAINED IN THIS DRAWING IS THE SOLE PROPERTY OF BLUEWATER MFG, INC. ANY REPRODUCTION IN PART OR AS A WHOLE WITHOUT THE WRITTEN PERMISSION OF FABRACO, INC IS PROHIBITED.

8 7 6 5 4 3 2 1

D

C

B

A

8 7 6 5 4 3 2 1