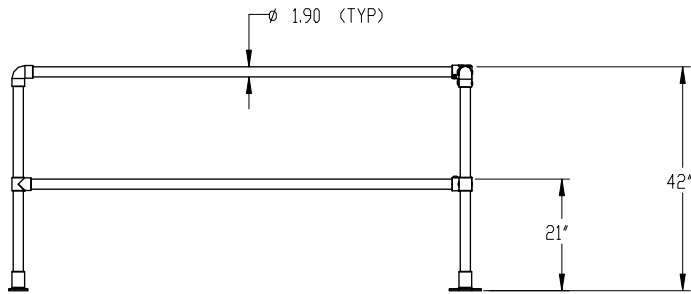
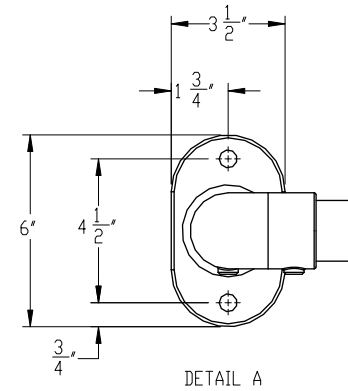
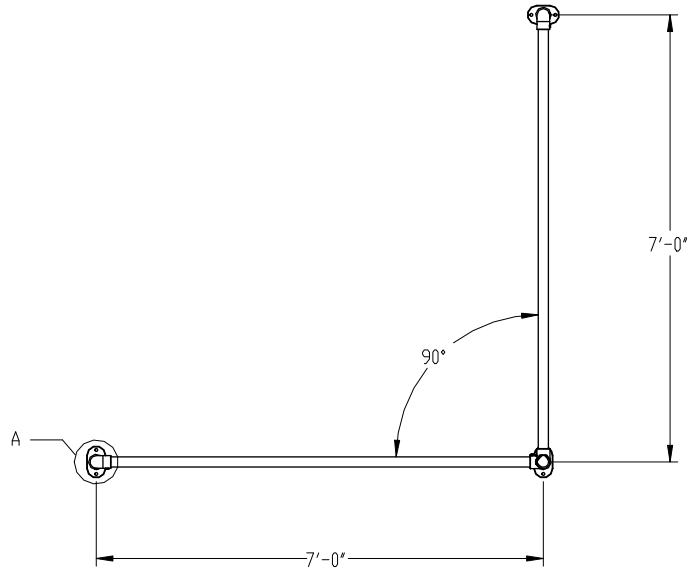


REVISIONS				
ZONE	REV.	DESCRIPTION	DATE	APPROVED



PROPRIETARY AND CONFIDENTIAL
 THE INFORMATION CONTAINED IN THIS DRAWING IS THE SOLE PROPERTY OF BLUEWATER MFG. INC. ANY REPRODUCTION IN PART OR AS A WHOLE WITHOUT THE WRITTEN PERMISSION OF FABRACO, INC IS PROHIBITED.

UNLESS OTHERWISE SPECIFIED:		NAME	DATE	2002 Karchach Houston, Texas 77092 800-962-6111 www.safetysgate.com	
DIMENSIONS ARE IN INCHES		DRAWN	PAB	2/04/15	TITLE: 7' X 7' CORNER KIT FABRAIL (1.90 OD)
TOLERANCES:		CHECKED			
FRACTIONAL ± 1/8		ENG APPR.	PAB	2/04/15	
ANGULAR: MACH ± .5° BEND ± 1°		MFG APPR.			
ONE PLACE DECIMAL ± .1		INTERPRET GEOMETRIC TOLERANCE PER: ASME Y14.5M-1994			SIZE
TWO PLACE DECIMAL ± .03		MATERIAL			DWG. NO.
THREE PLACE DECIMAL ± .010		FINISH			REV
DO NOT SCALE DRAWING			COMMENTS:		A
SCALE: 1:24				WEIGHT:	SHEET 1 OF 1