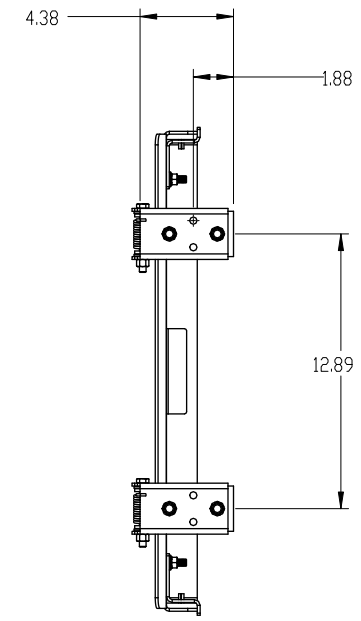
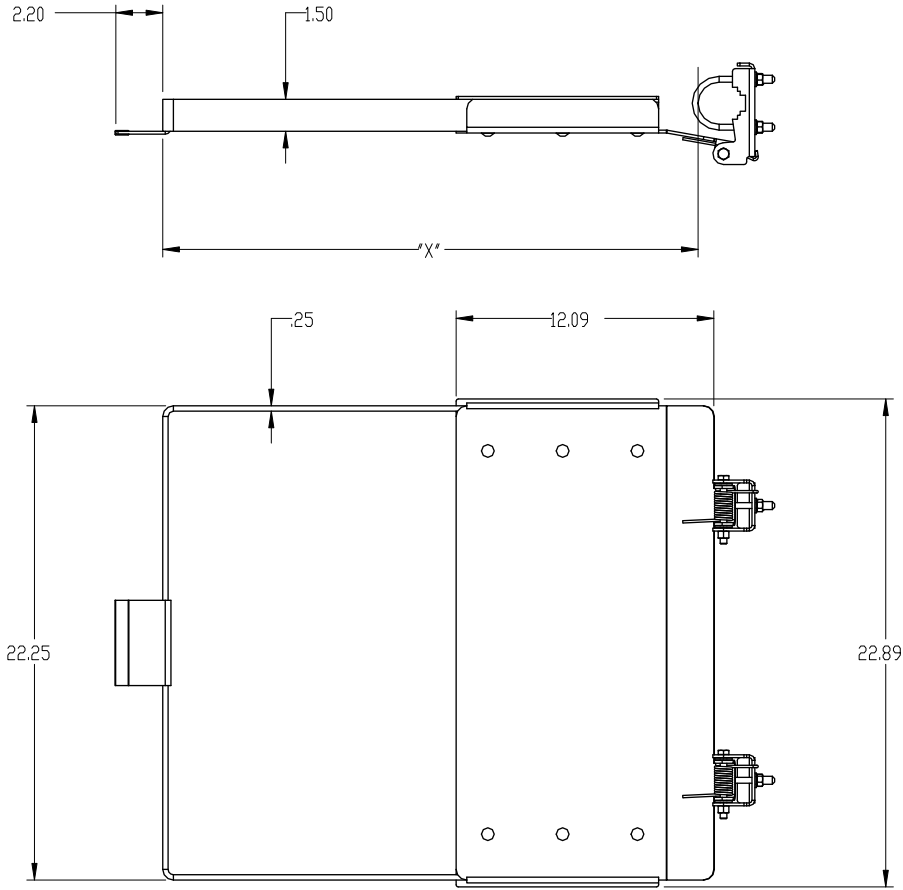


REVISIONS				
ZONE	REV.	DESCRIPTION	DATE	APPROVED



X FITS OPENING	GATE MODEL
18-24"	G21
24-30"	G27
30-36"	G33
36-42"	G39
42-48"	G45

PROPRIETARY AND CONFIDENTIAL
 THE INFORMATION CONTAINED IN THIS DRAWING IS THE SOLE PROPERTY OF BLUEWATER MFG. INC. ANY REPRODUCTION IN PART OR AS A WHOLE WITHOUT THE WRITTEN PERMISSION OF FABENCO, INC IS PROHIBITED.

UNLESS OTHERWISE SPECIFIED:		NAME	DATE
DIMENSIONS ARE IN INCHES		DRAWN	PAB
TOLERANCES:		CHECKED	2/05/15
FRACTIONAL ± 1/8		ENG APPR.	
ANGULAR: MACH ± .5° BEND ± 1°		MFG APPR.	
ONE PLACE DECIMAL ± .1			
TWO PLACE DECIMAL ± .03			
THREE PLACE DECIMAL ± .010			
INTERPRET GEOMETRIC TOLERANCE PER: ASME Y14.5M-1994		COMMENTS:	
MATERIAL:			
FINISH:			
DO NOT SCALE DRAWING			

2002 Karchach Houston, Texas 77092 800-962-6111 www.safetygate.com		
TITLE: G-SERIES GATE		
SIZE B	DWG. NO.	REV
SCALE: 1:6	WEIGHT:	SHEET 1 OF 1

8 7 6 5 4 3 2 1

D

C

B

A

8 7 6 5 4 3 2 1