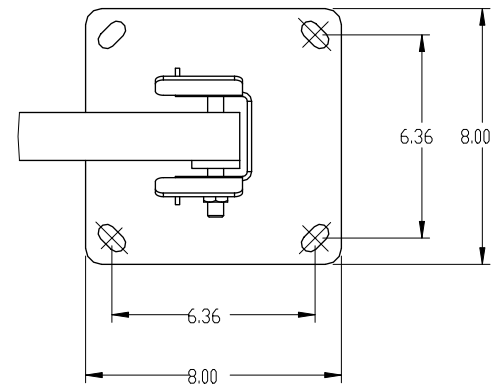
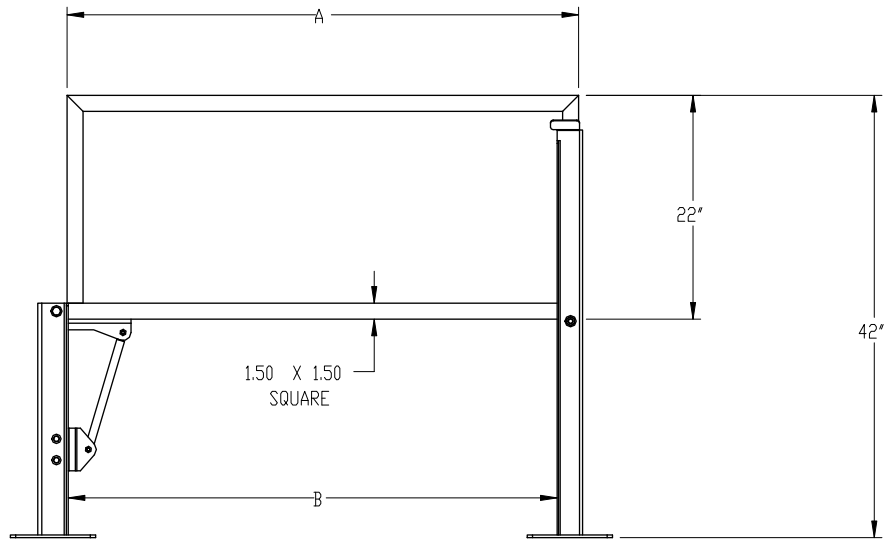
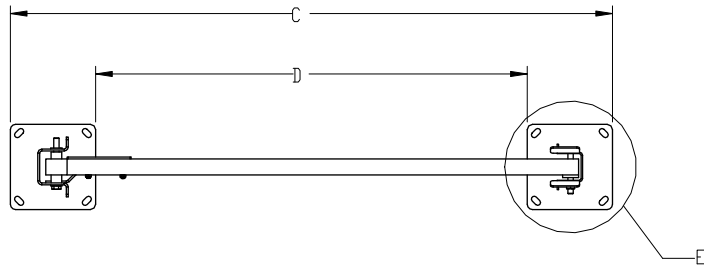


REVISIONS				
ZONE	REV.	DESCRIPTION	DATE	APPROVED



DETAIL E

REF. DIMENSION	4' GATE	6' GATE
A	48"	72"
B	46"	70"
C	56.5"	80.5"
D	40.5"	64.5"

PROPRIETARY AND CONFIDENTIAL
 THE INFORMATION CONTAINED IN THIS DRAWING IS THE SOLE PROPERTY OF BLUEWATER MFG. INC. ANY REPRODUCTION IN PART OR AS A WHOLE WITHOUT THE WRITTEN PERMISSION OF FABENCIL, INC IS PROHIBITED.

UNLESS OTHERWISE SPECIFIED:

DIMENSIONS ARE IN INCHES
 TOLERANCES:
 FRACTIONAL ± 1/8
 ANGULAR: MACH ± .5° BEND ± 1°
 ONE PLACE DECIMAL ± .1
 TWO PLACE DECIMAL ± .03
 THREE PLACE DECIMAL ± .010

INTERPRET GEOMETRIC TOLERANCE PER: ASME Y14.5M-1994

MATERIAL

FINISH

DO NOT SCALE DRAWING

	NAME	DATE
DRAWN	PAB	2/05/15
CHECKED	PAB	2/05/15
ENG APPR.		
MFG APPR.		

COMMENTS:

2002 Karbach
 Houston, Texas 77092
 800-962-6111
 www.safetysgate.com

TITLE: VERTICAL LIFT GATE

SIZE	DWG. NO.	REV
B		A

SCALE: 1/12 WEIGHT: SHEET 1 OF 1