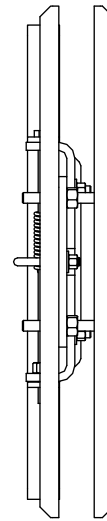
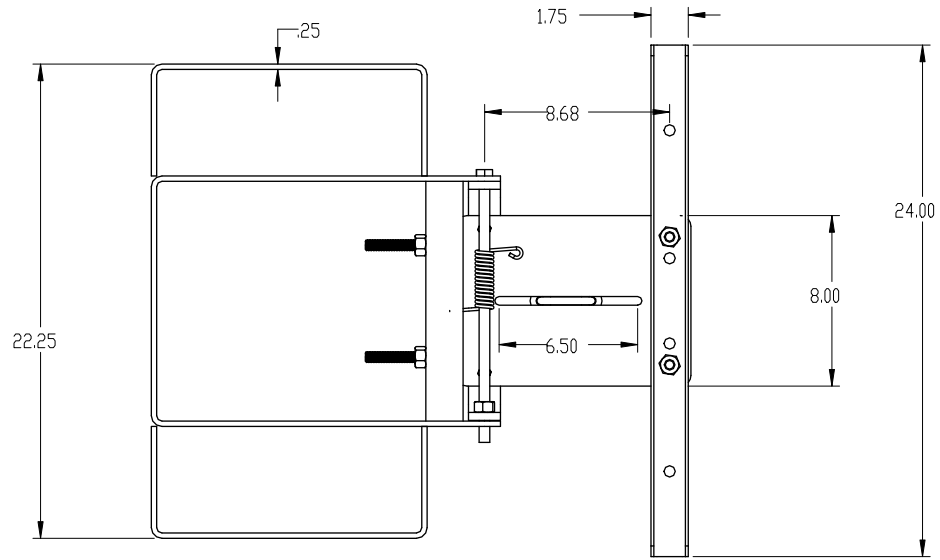
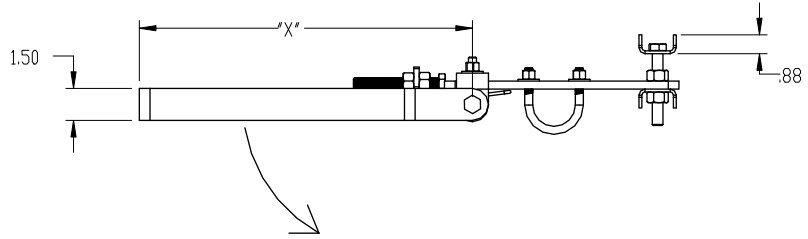


REVISIONS				
ZONE	REV.	DESCRIPTION	DATE	APPROVED



GATE SIZE	"X"
16	16-3/8"
18	18-3/8"
21	21-3/8"
24	24-3/8"
27	27-3/8"
30	30-3/8"
33	33-3/8"
36	36-3/8"

PROPRIETARY AND CONFIDENTIAL  
 THE INFORMATION CONTAINED IN THIS DRAWING IS THE SOLE PROPERTY OF BLUEWATER MFG. INC. ANY REPRODUCTION IN PART OR AS A WHOLE WITHOUT THE WRITTEN PERMISSION OF FABENCO, INC IS PROHIBITED.

UNLESS OTHERWISE SPECIFIED:		NAME	DATE
DIMENSIONS ARE IN INCHES		DRAWN	TJM 1-15-15
TOLERANCES:		CHECKED	
FRACTIONAL ± 1/8		ENG APPR.	
ANGULAR: MACH ± .5° BEND ± 1°		MFG APPR.	
ONE PLACE DECIMAL ± .1			
TWO PLACE DECIMAL ± .03			
THREE PLACE DECIMAL ± .010			
INTERPRET GEOMETRIC TOLERANCE PER: ASME Y14.5M-1994		COMMENTS:	
MATERIAL:			
FINISH:			
DO NOT SCALE DRAWING			

		2002 Karbach Houston, Texas 77092 800-962-6111 <a href="http://www.safetygate.com">www.safetygate.com</a>	
TITLE: XL-Series Assembly			
SIZE	DWG. NO.	REV	
B		A	
SCALE: 1:12	WEIGHT:	SHEET 1 OF 1	