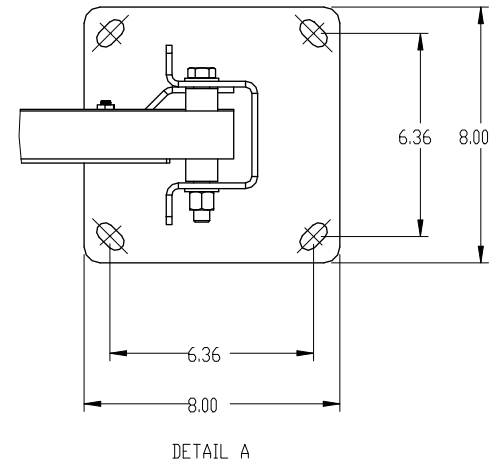
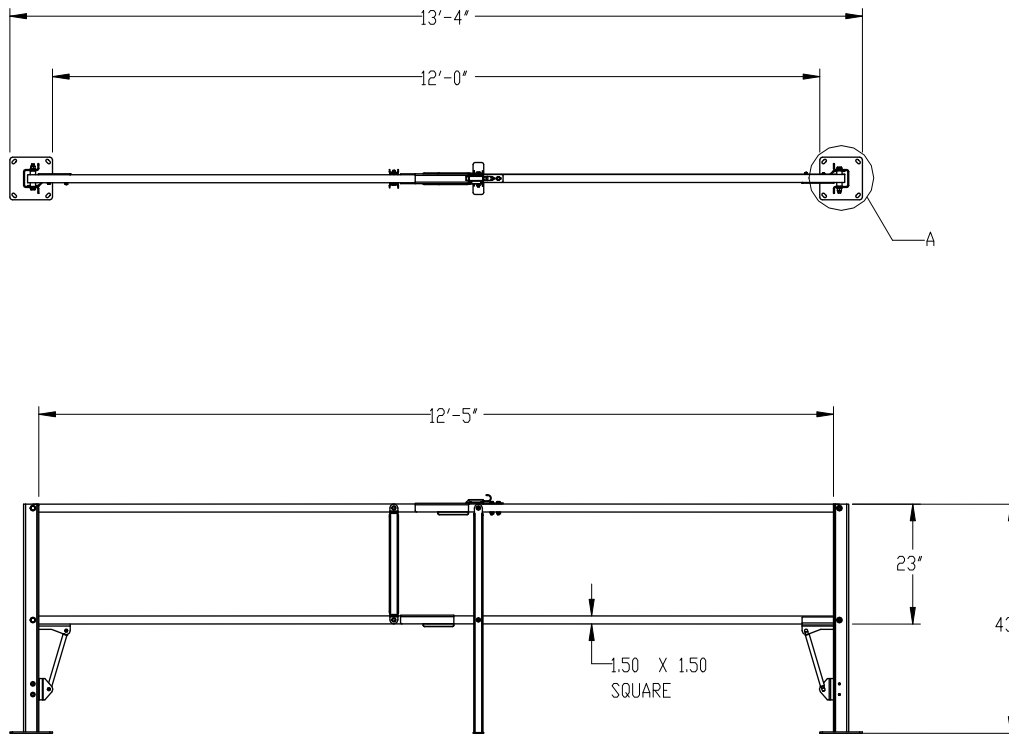


REVISIONS				
ZONE	REV.	DESCRIPTION	DATE	APPROVED



PROPRIETARY AND CONFIDENTIAL
 THE INFORMATION CONTAINED IN THIS DRAWING IS THE SOLE PROPERTY OF BLUEWATER MFG. INC. ANY REPRODUCTION IN PART OR AS A WHOLE WITHOUT THE WRITTEN PERMISSION OF FABENCO, INC IS PROHIBITED.

UNLESS OTHERWISE SPECIFIED:	NAME	DATE
DIMENSIONS ARE IN INCHES	DRAWN PAB	2/06/15
TOLERANCES:	CHECKED	
FRACTIONAL ± 1/8	ENG APPR. TM	2/06/15
ANGULAR: MACH ± .5° BEND ± 1°	MFG APPR.	
ONE PLACE DECIMAL ± .1		
TWO PLACE DECIMAL ± .03		
THREE PLACE DECIMAL ± .010		

2002 Karbach
 Houston, Texas 77092
 800-962-6111
 www.safetysgate.com

TITLE:	DUAL DOCK GATE ASSY		
SIZE	DWG. NO.	REV	
B		A	

INTERPRET GEOMETRIC TOLERANCE PER: ASME Y14.5M-1994	COMMENTS:
MATERIAL:	
FINISH:	
DO NOT SCALE DRAWING	

SCALE: 1/24	WEIGHT:	SHEET 1 OF 1
-------------	---------	--------------