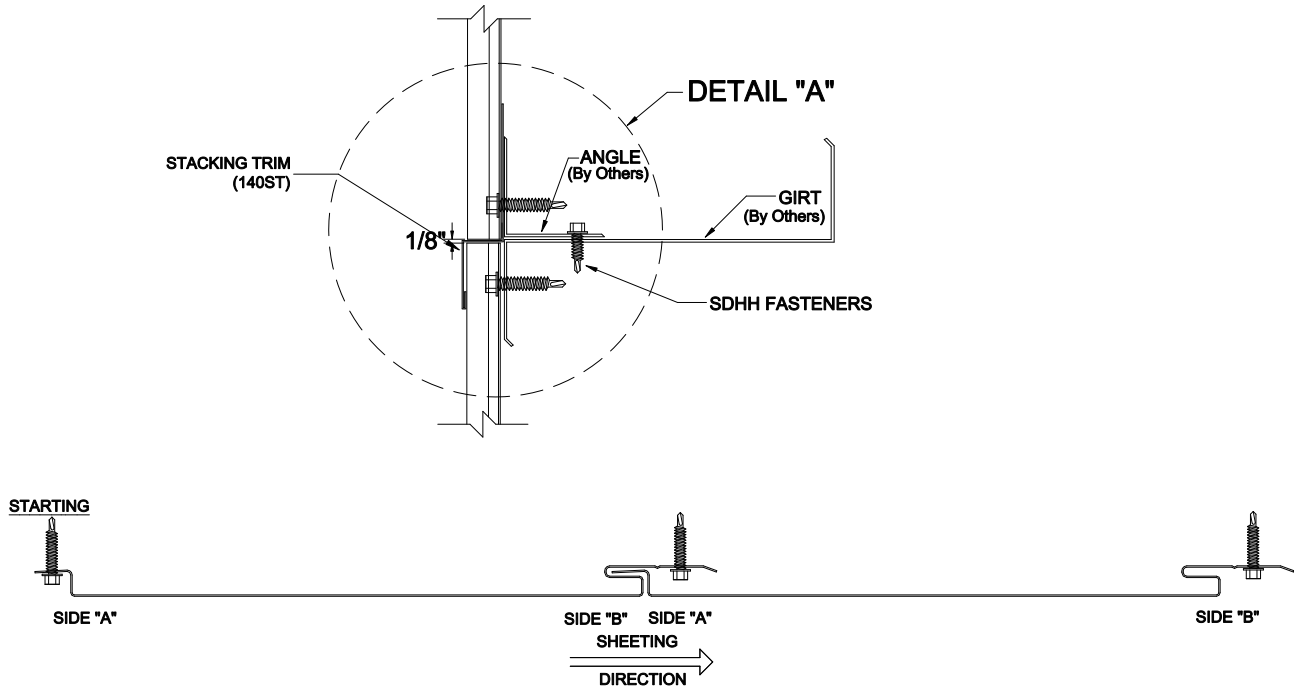


DETAIL AT WALL PANEL SPLICE WITHOUT HAT CHANNEL

STRUKTUROC

DETAIL 1048

SECTION THRU WALL PANEL ENDCAP



STRUKTUROC

DETAIL 1049

LAPPING

