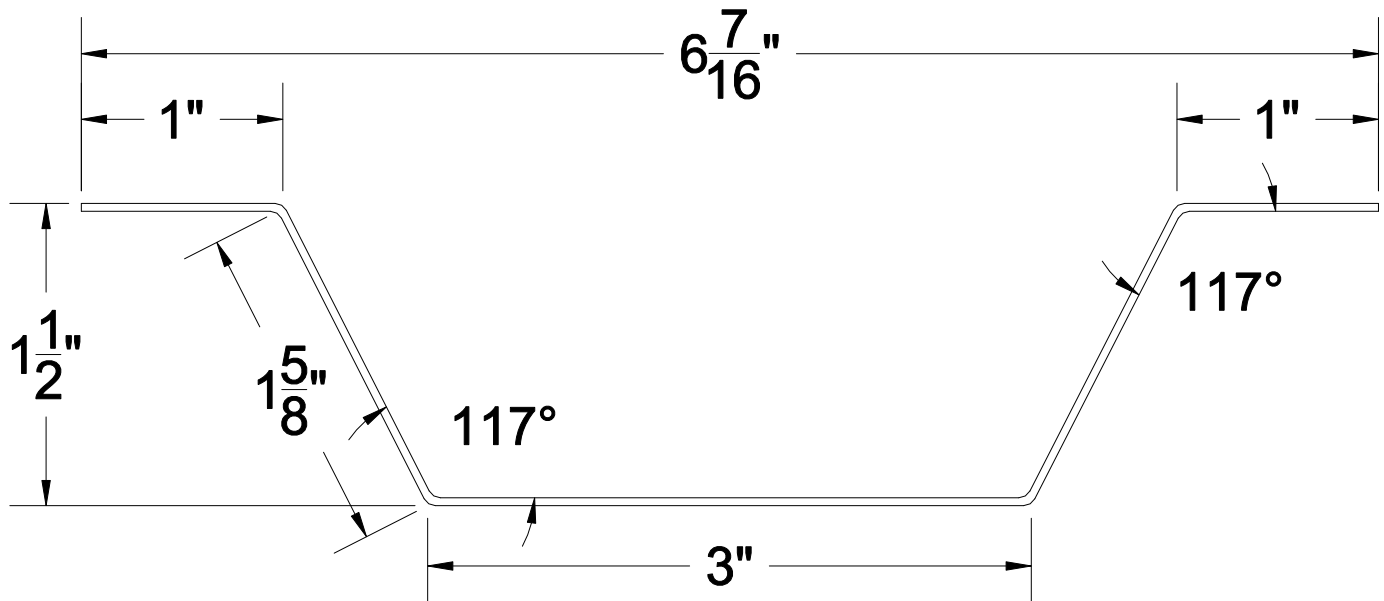


STACKING 1 1/2" HAT CHANNEL #CR409

NOTE: ALL TRIMS COME STANDARD AT 12'-0" LONG (NO EXCEPTIONS).

**NO TEXTURE****BLANK SIZE: 8.25"****MATERIAL: 24ga. Galv.**

Min. coated state thickness: .034

Note: all dimensions are $\pm \frac{1}{32}$ "Note: all angles are ± 1 deg.