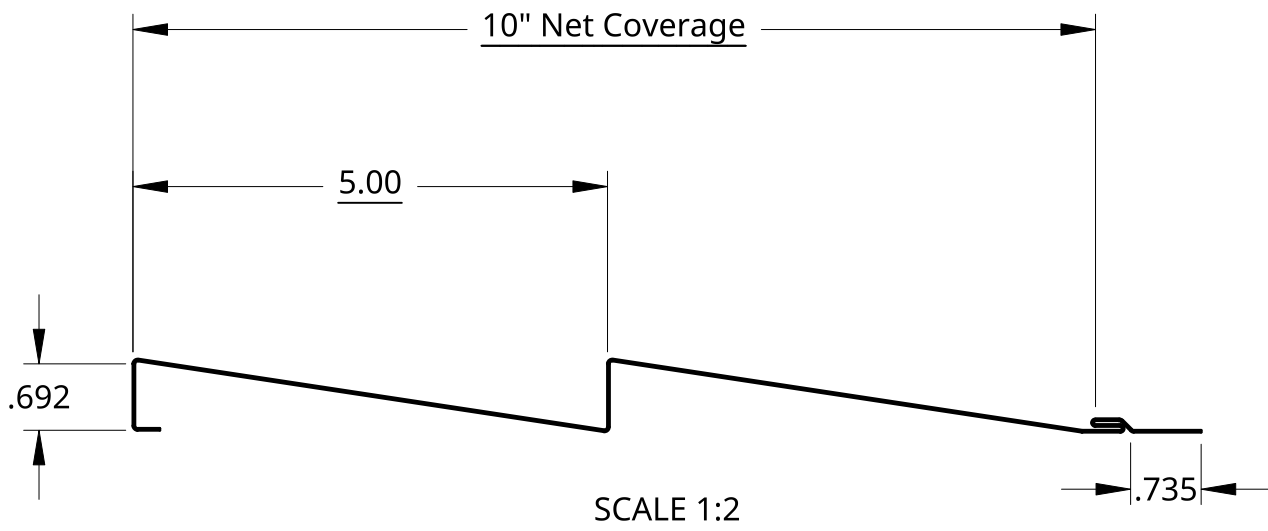


2

1

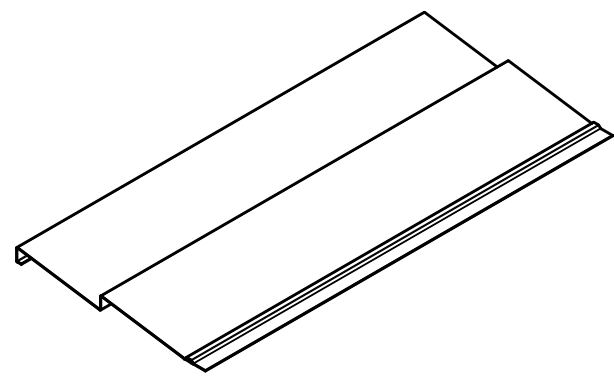
B

B



A

A



SCALE 1:8

2

1

UNLESS OTHERWISE SPECIFIED, DIMENSIONS ARE IN INCHES .XX = ±.0- .XXX = ±.00- .XXXX = ±.000- SURFACE FINISH		NAME	DATE	True Metal Supply		
	DRAWN	MASON BURCHETTE	03/15/2026	TITLE TrueLap™ Steel Siding		
	CHECKED					
	APPROVED					
DO NOT SCALE DRAWING				SIZE	DWG NO.	REV.
BREAK ALL SHARP EDGES AND REMOVE BURRS				A	TLP001	
THIRD ANGLE PROJECTION	MATERIAL	FINISH	SCALE	WEIGHT	SHEET	
	50 KSI 26GA STEEL	AZ50 SMP / PVDF	1:16		1 of 1	