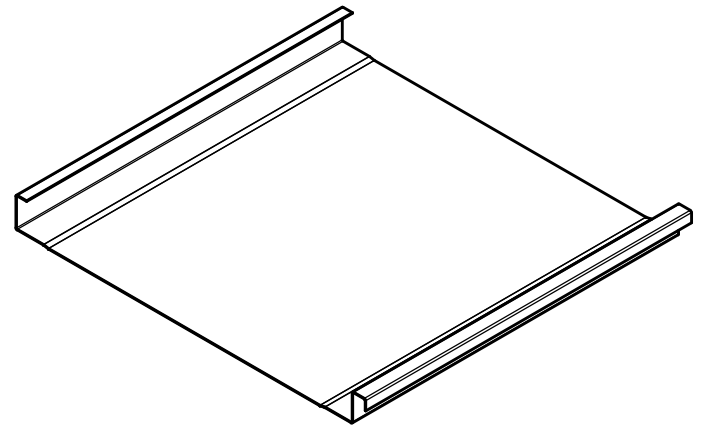


2

1



SCALE 1:5



NOTES:

- 1. MATERIAL USAGE: APPROX. 3" [76.2] APPROX.
- 2. CLIP RELIEF ROLLERS ARE STANDARD WITH THIS PANEL.
- 3. PANEL IS SHOWN WITH CLIP RELIEF ROLLERS ENGAGED.
- 4. OPTIONAL MINOR BEAD RIB OR STRIATIONS AVAILABLE.
- 5. DUAL DIMENSIONS: Inch [mm]

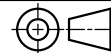
UNLESS OTHERWISE SPECIFIED,
DIMENSIONS ARE IN INCHES
.XX = ±.0-
.XXX = ±.00-
.XXXX = ±.000-
ANGULAR = ± °
FRACTIONAL = ±

SURFACE FINISH

DO NOT SCALE DRAWING

BREAK ALL SHARP EDGES AND REMOVE BURRS

THIRD ANGLE PROJECTION



	NAME	DATE
DRAWN	MASON BURCHETTE	06/22/2026
CHECKED		
APPROVED		
MATERIAL	FINISH	
50 KSI STEEL .040, .032 ALUM 16, 20OZ COPPER	AZ55, SMP, PVDF, TRU-STEEL HD, COPPER	

true METAL SUPPLY TRUE METAL SUPPLY

TITLE		MECHLOCK™ 100	
		20	
SIZE	DWG. NO.	REV.	
A	SS100		
SCALE	WEIGHT	SHEET	
1:2		1 of 1	

2

1