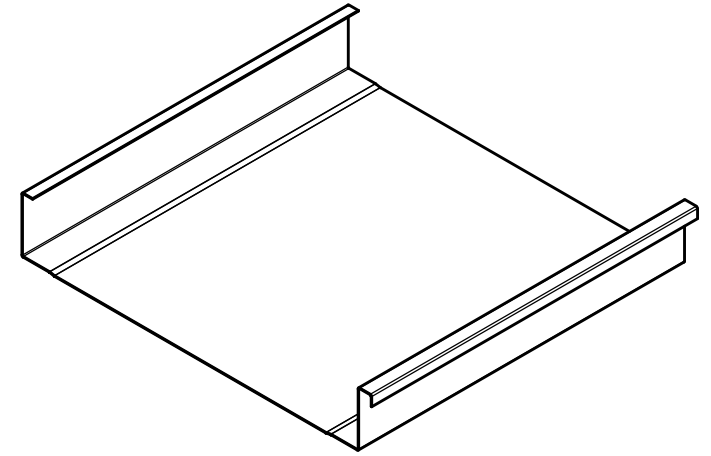
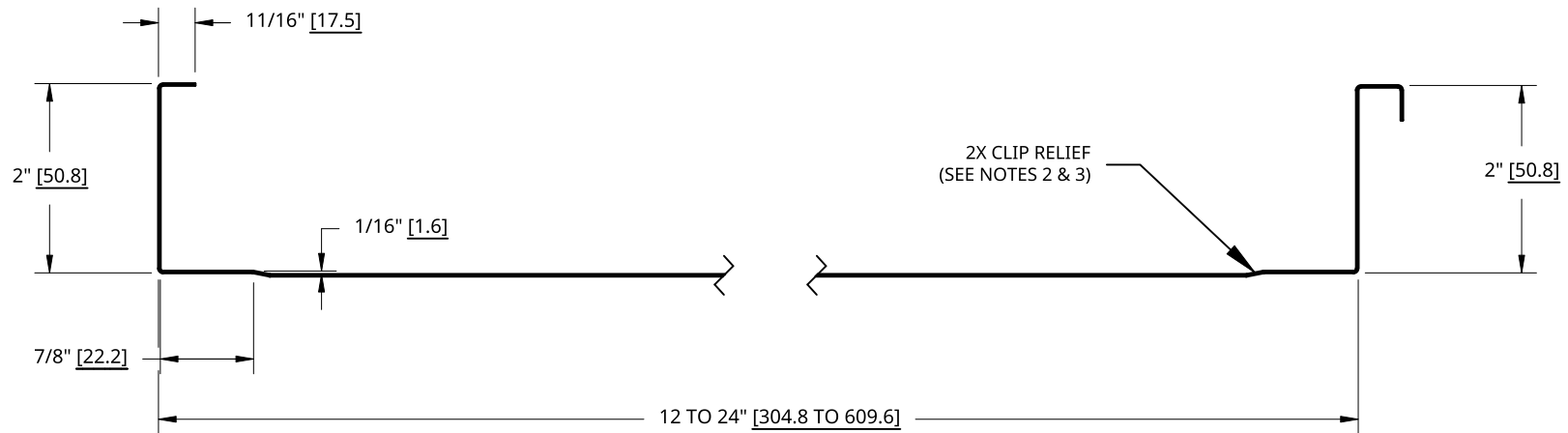


2

1



SCALE 1:5



NOTES:

1. MATERIAL USAGE: APPROX. 5-13/16" [147.6] APPROX.
2. CLIP RELIEF ROLLERS ARE STANDARD WITH THIS PANEL.
3. PANEL IS SHOWN WITH CLIP RELIEF ROLLERS ENGAGED.
4. OPTIONAL MINOR BEAD RIB OR STRIATIONS AVAILABLE.
5. DUAL DIMENSIONS: Inch [mm]

UNLESS OTHERWISE SPECIFIED,
DIMENSIONS ARE IN INCHES

.XX = ±.0-
.XXX = ±.00-
.XXXX = ±.000-

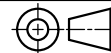
ANGULAR = ± °
FRACTIONAL = ±

SURFACE FINISH

DO NOT SCALE DRAWING

BREAK ALL SHARP EDGES AND
REMOVE BURRS

THIRD ANGLE PROJECTION



	NAME	DATE
DRAWN	MASON BURCHETTE	06/22/2026
CHECKED		
APPROVED		
MATERIAL		FINISH
50 KSI STEEL .040, .032 ALUM 16, 20OZ COPPER		AZ55, SMP, PVDF, TRU-STEEL HD, COPPER

TRUE METAL SUPPLY

TITLE			
MECHLOCK™ 200			
22			
SIZE	DWG NO.	REV.	
A	SS200		
SCALE 1:2	WEIGHT	SHEET 1 of 1	

2

1