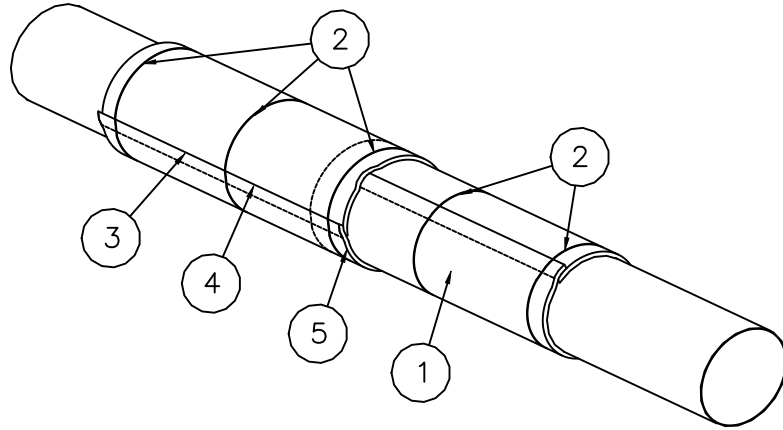
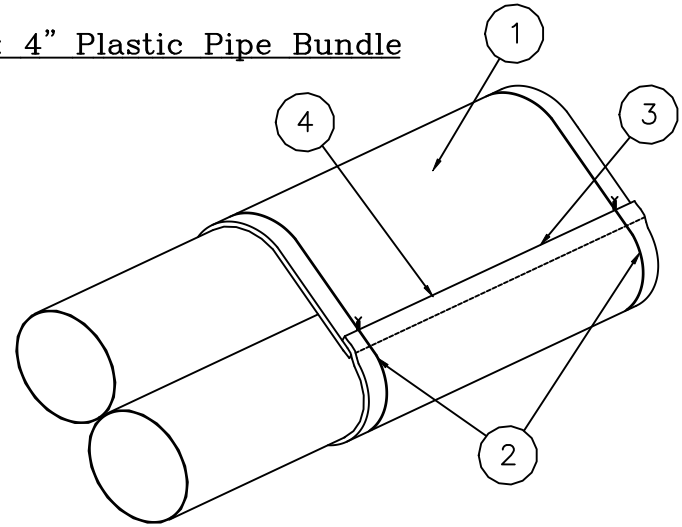


# FyreWrap® 0.5 Plenum Insulation System

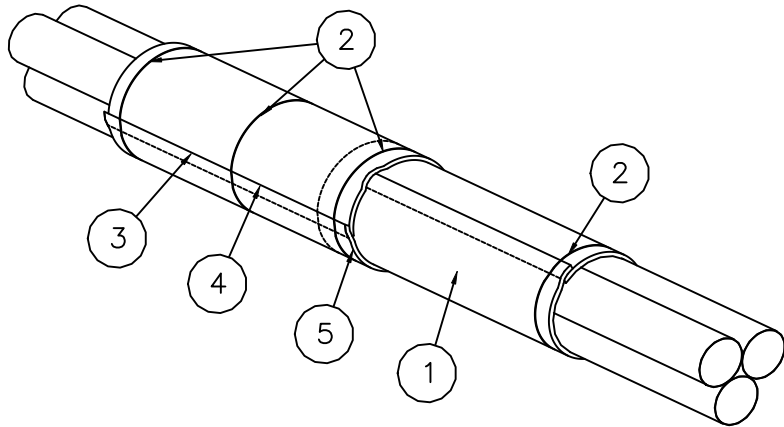
**Figure 1: 4" Single Plastic Pipe**



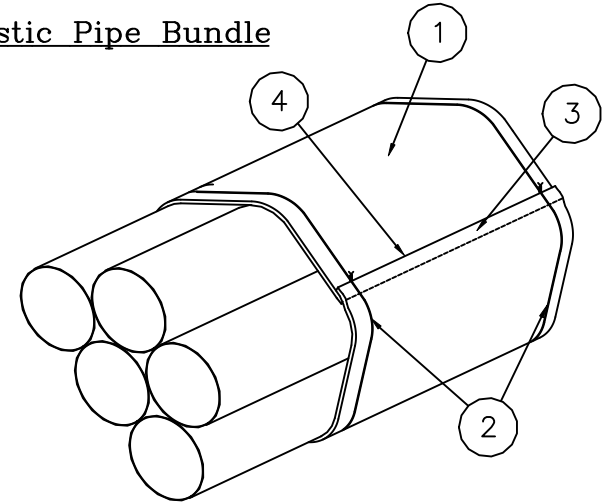
**Figure 2: 4" Plastic Pipe Bundle**



**Figure 3: 1" Plastic Pipe Bundle**



**Figure 4: 1" Plastic Pipe Bundle**



**NOTE:**  
Seal all cut edges with Aluminum foil tape.

Legend:	
1	FyreWrap® 0.5 Plenum Insulation, One Layer
2	24 gauge Steel Tie wire or banding
3	Aluminum foil tape to seal cut edges
4	Perimeter overlap 1" min.
5	Longitudinal overlap 1" min.

Revisions	Comments
Δ01-27-11	



SUBJECT- \_\_\_\_\_

LOCATION- \_\_\_\_\_

BLDG. NO.- \_\_\_\_\_ DATE- 03-31-2008

DRAWN- S.A.Rustay ENGINEER APPROVAL- \_\_\_\_\_

SCALE- N.T.S. DATE SIGNED- \_\_\_\_\_

DRAWING NO.	FP-389
PROJECT NO.	