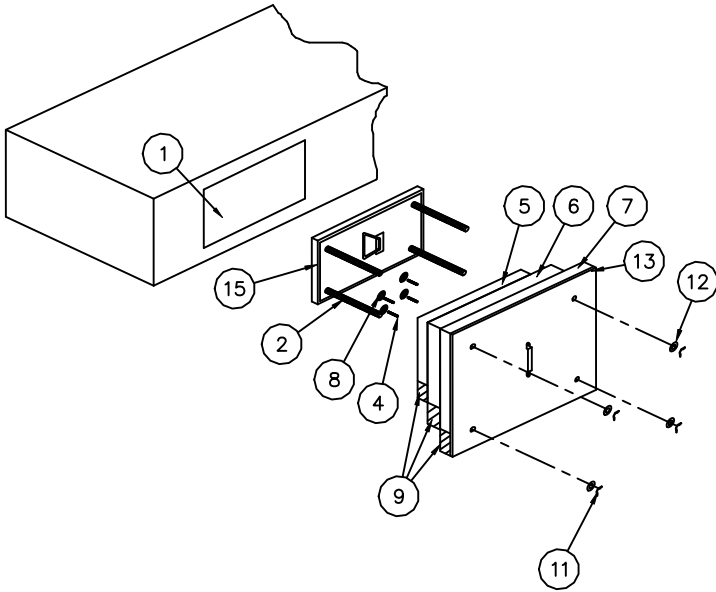
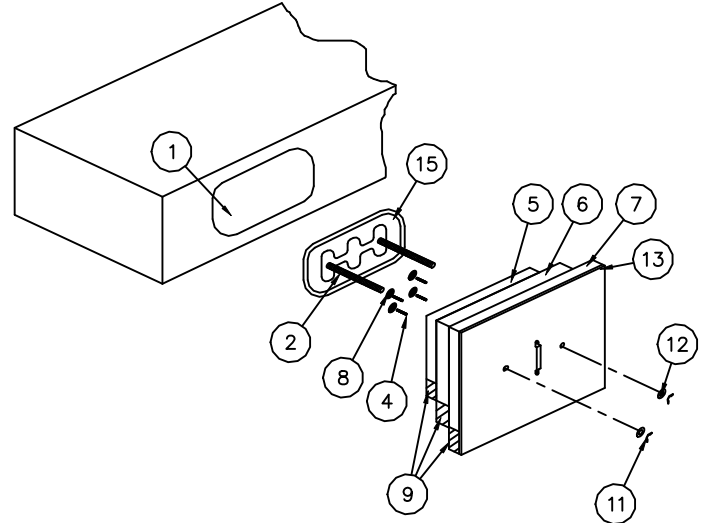


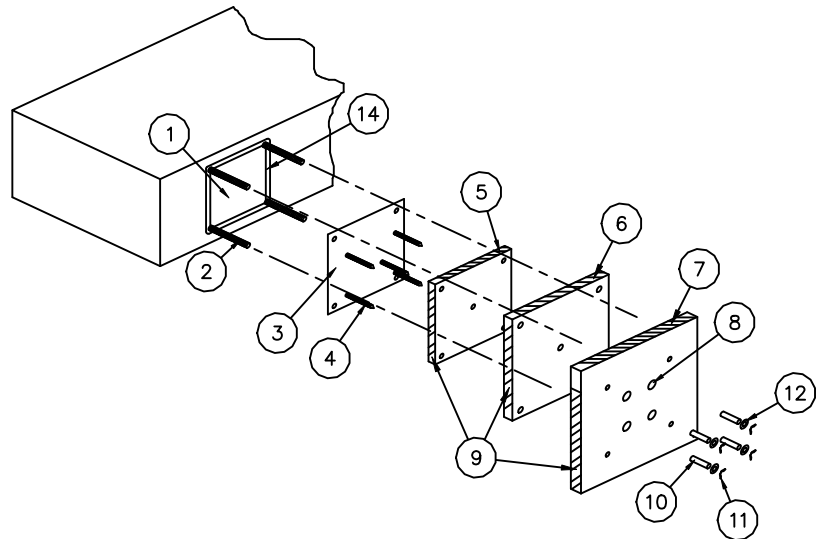
FyreWrap® Elite™ 1.5 Duct Insulation Commercial Kitchen Grease Duct System Access Door Systems



Ductmate Ultimate Door System



Ductmate F2-HT Door System



Field Fabricated Door System

Legend:	
1	Access Door Opening
2	All Thread Rods
3	Access Door Cover Panel 16 Gauge (field fab. only)
4	Insulation Pins – Welded to Cover
5	First Layer FyreWrap® Elite™ 1.5
6	Second Layer FyreWrap® Elite™ 1.5, 1" Overlap
7	Third Layer FyreWrap® Elite™ 1.5, 1" Overlap
8	Speed Clips/Washers
9	Cut Edges Sealed With Aluminum Foil Tape
10	Spool pieces for threaded rods (optional field fab. only)
11	Wing Nuts
12	Washers
13	Insulation plate
14	Ceramic fiber gasket, 1/2" thick
15	Pre-fabricated access door

Revisions	Comments



SUBJECT— _____

LOCATION— _____

BLDG. NO.— _____ DATE— 10-08-2008

DRAWN— S.A.Rustay ENGINEER APPROVAL— _____

SCALE— N.T.S. DATE SIGNED— _____

DRAWING NO. FP-426
PROJECT NO.