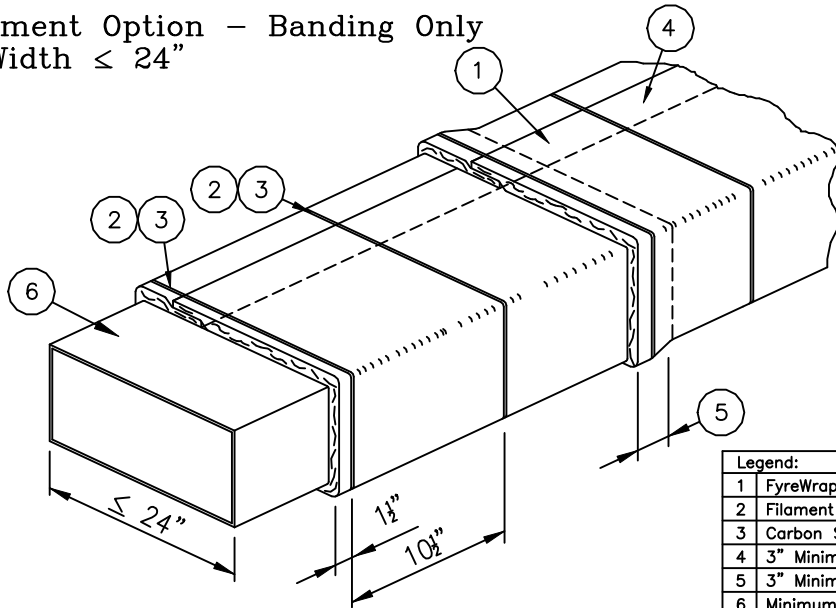
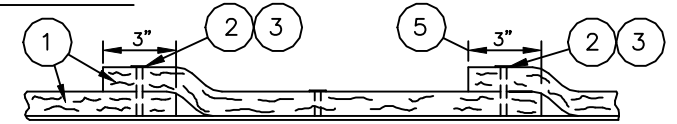


**FyreWrap® Elite™ 1.5 Duct Insulation – Single layer**  
**Air Distribution System (ADS)**  
**1 and 2 Hour Fire Rated Enclosure**

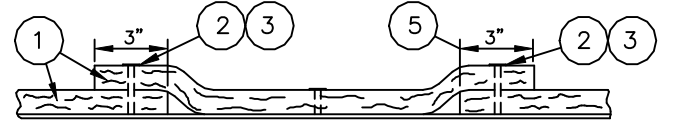
**Attachment Option – Banding Only**  
**Duct Width ≤ 24"**



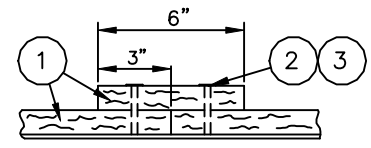
Legend:	
1	FyreWrap® Elite™ 1.5 Duct Insulation, One Layer
2	Filament Tape (Temporary Hold)
3	Carbon Steel Banding Straps (Permanent Hold)
4	3" Minimum Longitudinal Overlap
5	3" Minimum Perimeter Overlap
6	Minimum 26 ga. HVAC Duct



**Telescoping Overlap Technique**  
**Cross-Section View**



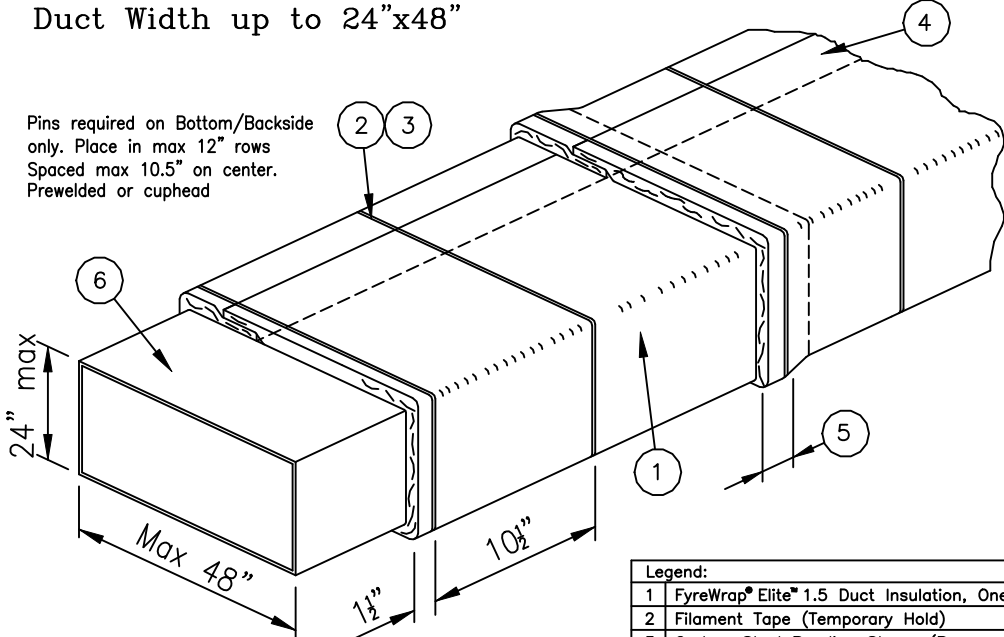
**Checkerboard Technique**  
**Cross-Section View**



**Butt Joint & Collar Technique**  
**Cross-Section View**

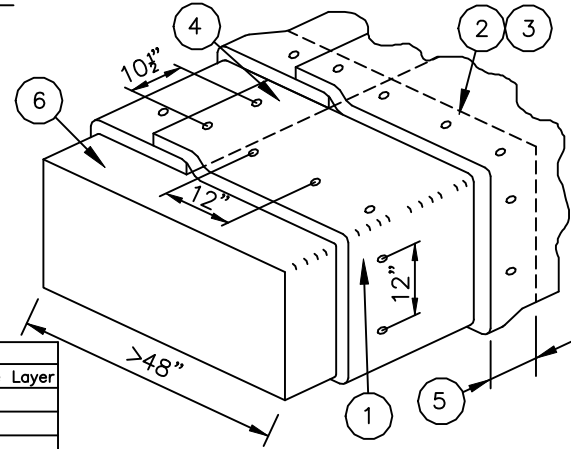
**Attachment Option – Banding and Pins**  
**Duct Width up to 24"x48"**

Pins required on Bottom/Backside only. Place in max 12" rows Spaced max 10.5" on center. Prewelded or cuphead



Legend:	
1	FyreWrap® Elite™ 1.5 Duct Insulation, One Layer
2	Filament Tape (Temporary Hold)
3	Carbon Steel Banding Straps (Permanent Hold)
4	3" Minimum Perimeter Overlap
5	3" Minimum Longitudinal Overlap
6	Minimum 26 ga. HVAC Duct

**Attachment Option – Pins Only**  
**Any Duct Width**  
**(Mandatory for Duct widths >48")**



Legend:	
1	FyreWrap® Elite™ 1.5 Duct Insulation, One Layer
2	Weld Pin – prewelded or cuphead
3	Speed Clip
4	3" Minimum Perimeter Overlap
5	3" Minimum Longitudinal Overlap
6	Minimum 26 ga. HVAC Duct

Revisions	Comments
Δ01-27-11	

**UNIFLAX**

SUBJECT – \_\_\_\_\_

LOCATION – \_\_\_\_\_

BLDG. NO. – \_\_\_\_\_ DATE – 10-10-2008

DRAWN – S.A.Rustay ENGINEER APPROVAL – \_\_\_\_\_

SCALE – N.T.S. DATE SIGNED – \_\_\_\_\_

DRAWING NO. FP-455
PROJECT NO.