

FyreWrap® DPS– Dryer & Plenum Systems

Figure 1: 4" Dryer Duct

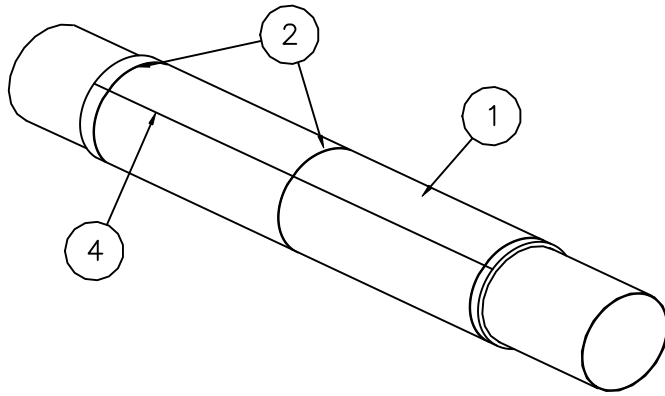


Figure 3: 4" Single Plastic Pipe

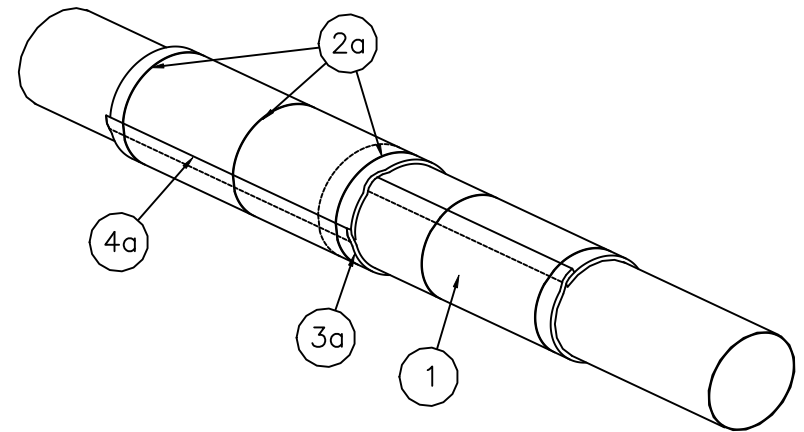


Figure 2: Tested Membrane Penetration Assembly

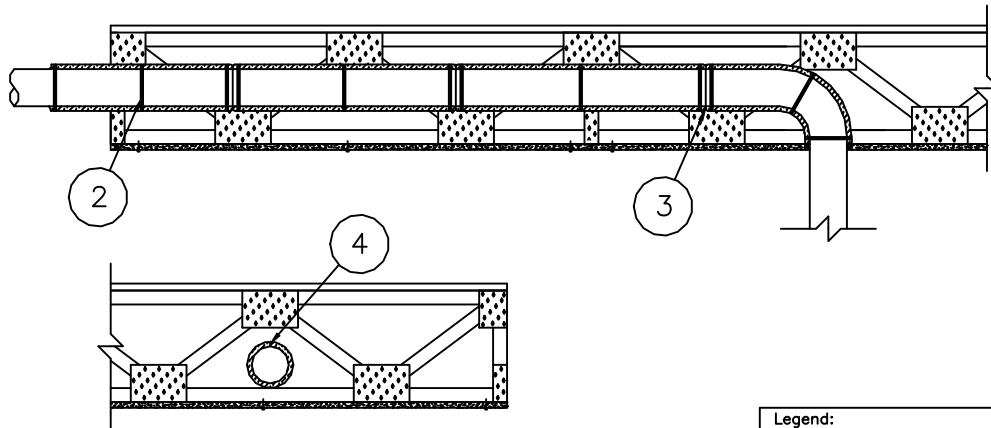
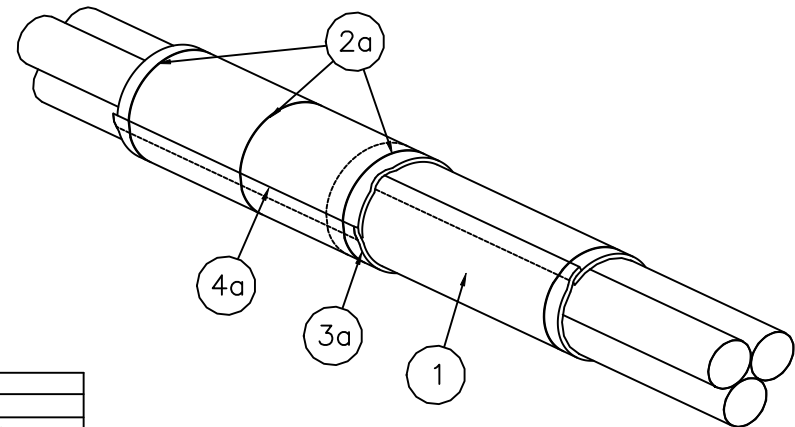


Figure 4: 1" Plastic Pipe Bundle



NOTE:
Seal all cut edges with aluminum foil tape.

Legend:	
1	FyreWrap® DPS Insulation, One Layer
2	18 Gauge Steel Tie Wire or Banding
2a	24 Gauge Steel Tie Wire or Banding
3	Perimeter 1" Compression Butt Joint
3a	Perimeter Overlap 1" Min.
4	Longitudinal 1" Compression Butt Joint
4a	Longitudinal Overlap 1" Min.

Unifrax I LLC 600 Riverwalk Parkway, Suite 120, Tonawanda, NY 14150

Created or Revised: Sept. 4, 2013

Subject:

Location:



FP-837