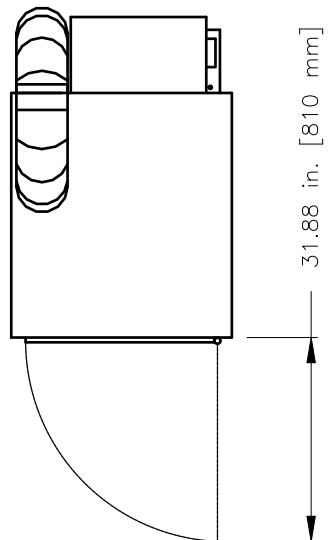
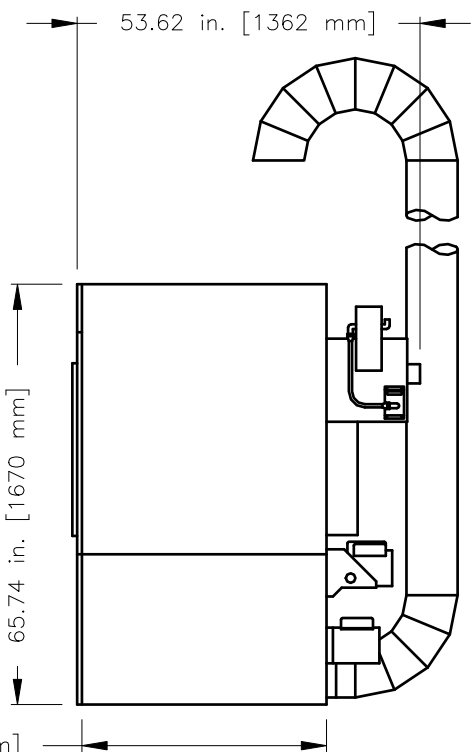
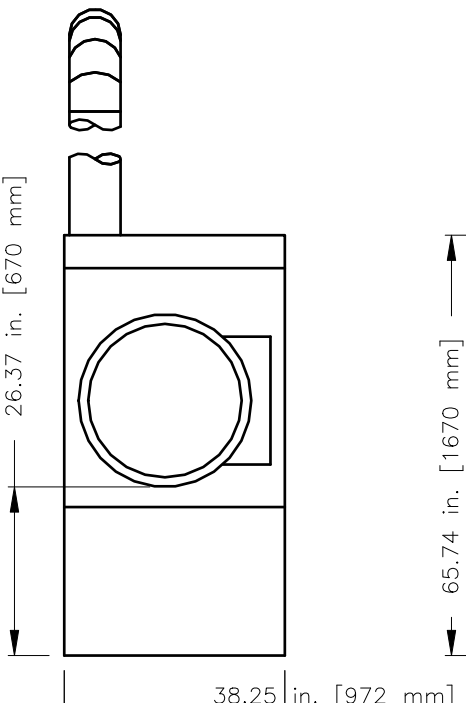
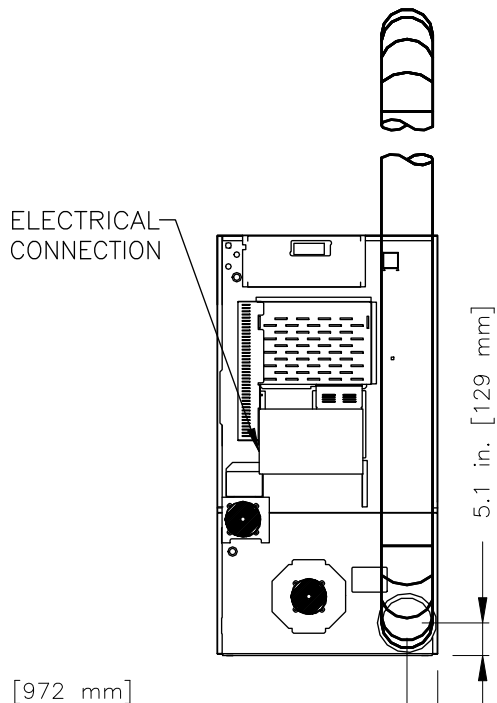
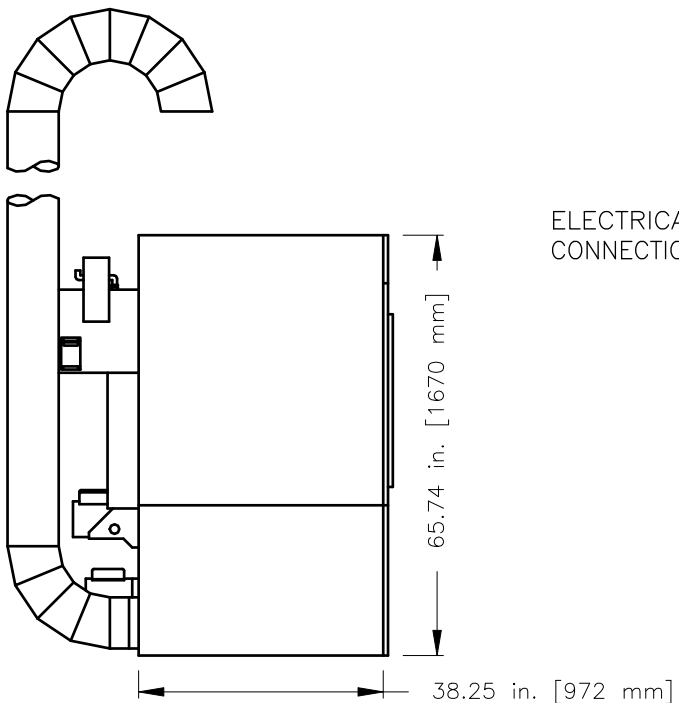


55 LB TUMBLER — ELECTRIC



34.5 in. [876 mm]