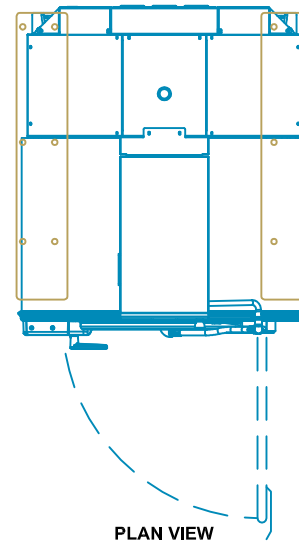
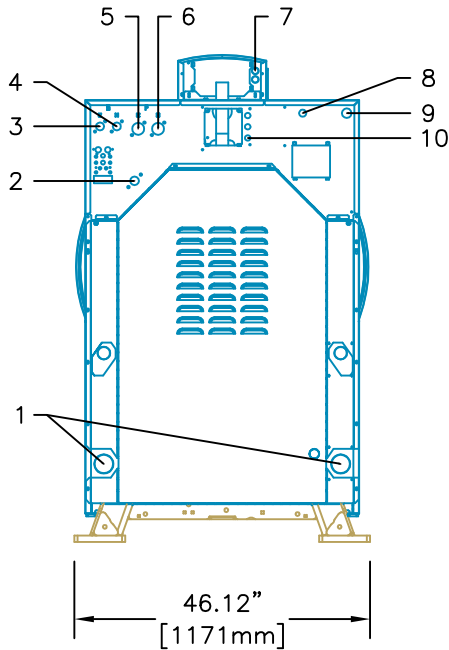


**LEGEND:**

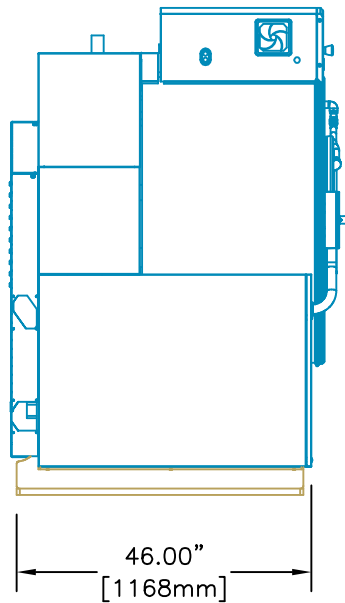
1: DRAIN OUTLETS	6: HOT WATER INLET
2: STEAM INLET	7: .875 ELECTRICAL
3: COLD WATER INLET	8: 1.125 ELECTRICAL
4: HOT WATER INLET	9: 1.5000 ELECTRICAL
(SPRAY RINSE OPTION)	10: .875 CHEMICAL SUPPLY
5: COLD WATER INLET	ELECTRICAL



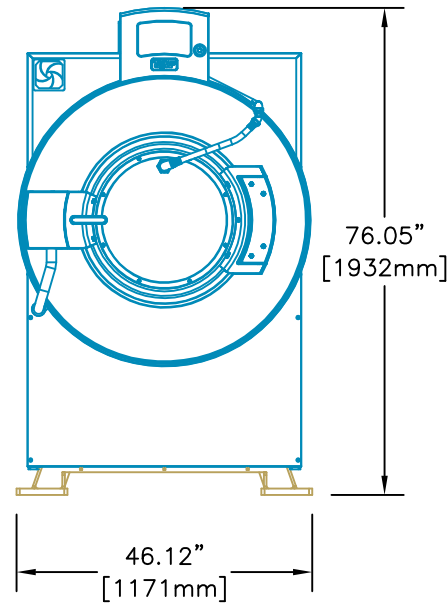
PLAN VIEW



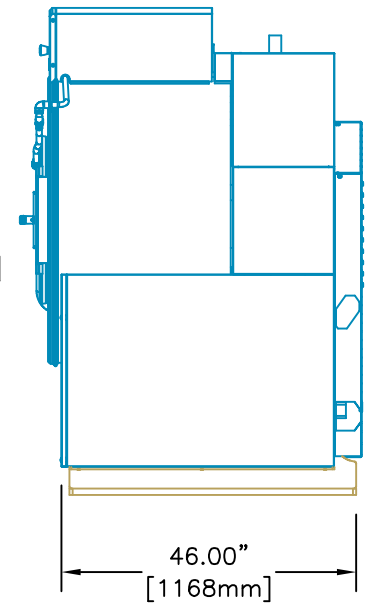
REAR VIEW



LEFT SIDE VIEW



FRONT VIEW



RIGHT SIDE VIEW

# 130 LB. POCKET HARDMOUNT WASHER-EXTRACTOR



Equipment specifications are subject to change without notice. Please use this drawing along with the installation manuals for updated equipment installation requirements.

KRP	CAD BLOCK	21-Mar-18
Drawn by	Description	Date