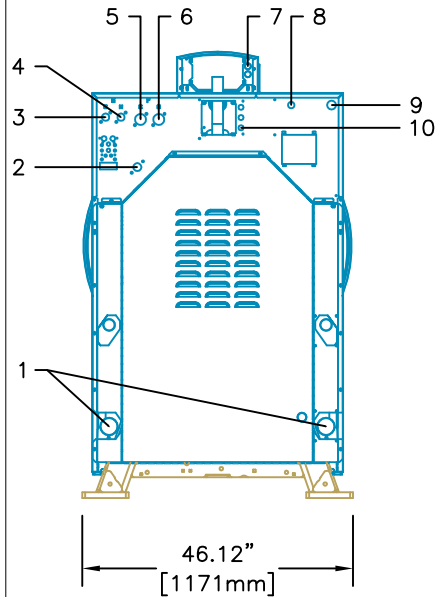
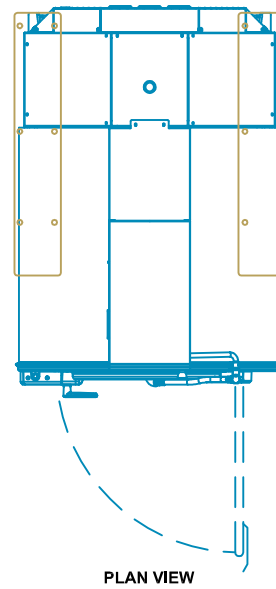
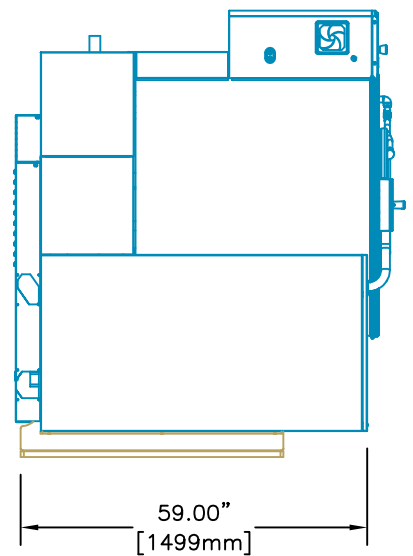


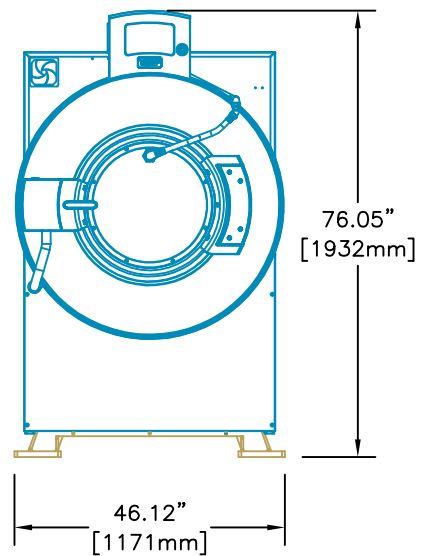
LEGEND:	
1: DRAIN OUTLETS	6: HOT WATER INLET (MAIN FILL)
2: STEAM INLET	7: .875 ELECTRICAL
3: HOT WATER INLET (SPRAY RINSE)	8: 1.125 ELECTRICAL
4: COLD WATER INLET (SPRAY RINSE)	9: 1.5000 ELECTRICAL
5: COLD WATER INLET (MAIN FILL)	10: .875 CHEMICAL SUPPLY ELECTRICAL



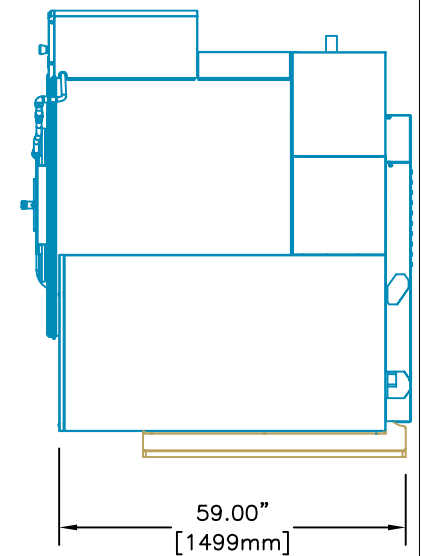
REAR VIEW



LEFT SIDE VIEW



FRONT VIEW



RIGHT SIDE VIEW

200 lb. POCKET HARDMOUNT WASHER-EXTRACTOR



Equipment specifications are subject to change without notice. Please use this drawing along with the installation manuals for updated equipment installation requirements.

KRP	CAD BLOCK	14-Feb-18
Drawn by	Description	Date