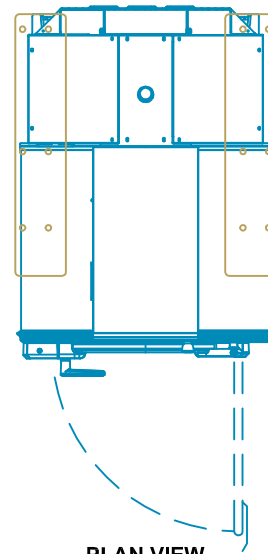
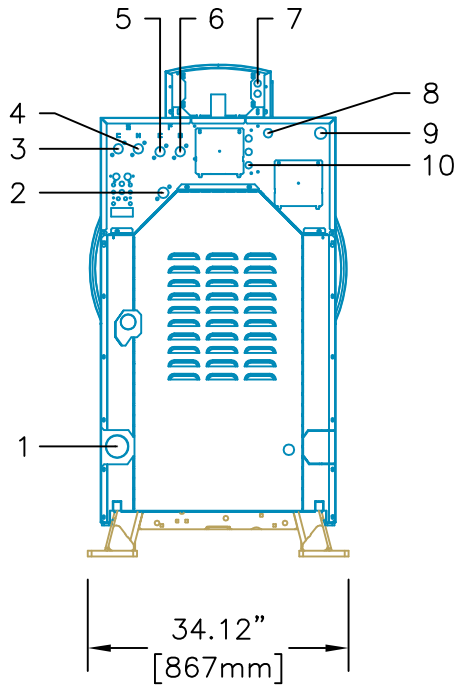


LEGEND:

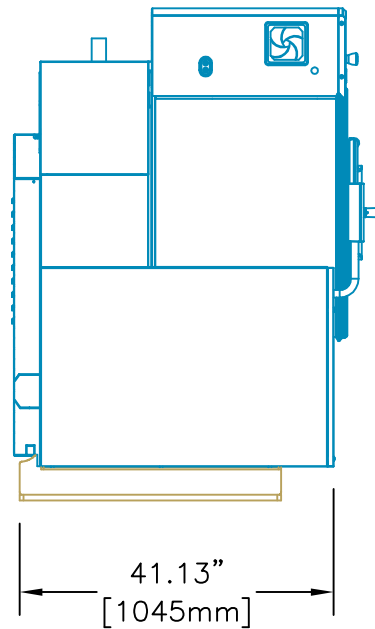
- | | |
|---|--|
| 1: DRAIN OUTLET | 6: HOT WATER INLET |
| 2: STEAM INLET | 7: .875 ELECTRICAL |
| 3: COLD WATER INLET
(SPRAY RINSE OPTION) | 8: 1.125 ELECTRICAL |
| 4: HOT WATER INLET
(SPRAY RINSE OPTION) | 9: 1.5000 ELECTRICAL |
| 5: COLD WATER INLET | 10: .875 CHEMICAL SUPPLY
ELECTRICAL |



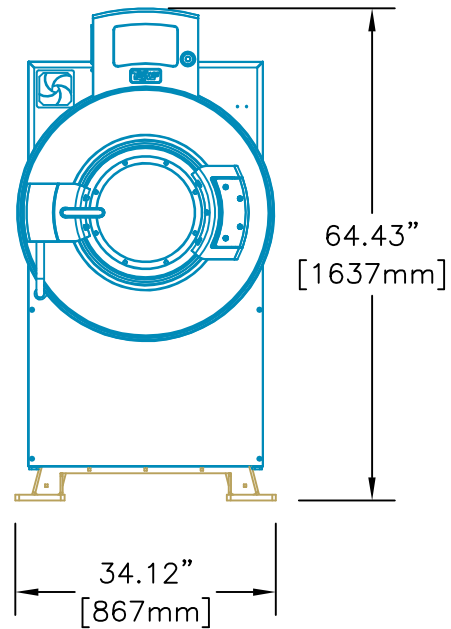
PLAN VIEW



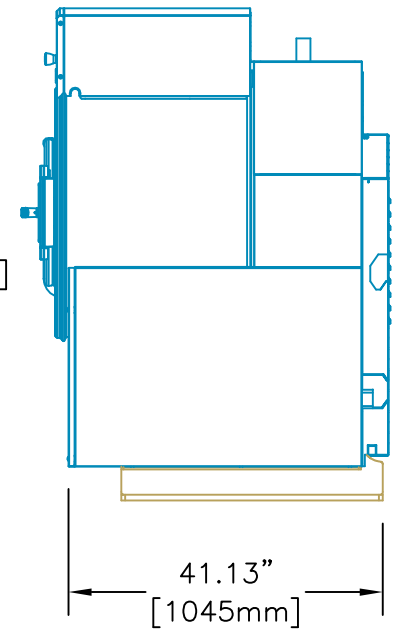
REAR VIEW



LEFT SIDE VIEW



FRONT VIEW



RIGHT SIDE VIEW

65 LB. POCKET HARDMOUNT WASHER-EXTRACTOR



Equipment specifications are subject to change without notice. Please use this drawing along with the installation manuals for updated equipment installation requirements.

KRP	CAD BLOCK	21-Mar-18
Drawn by	Description	Date