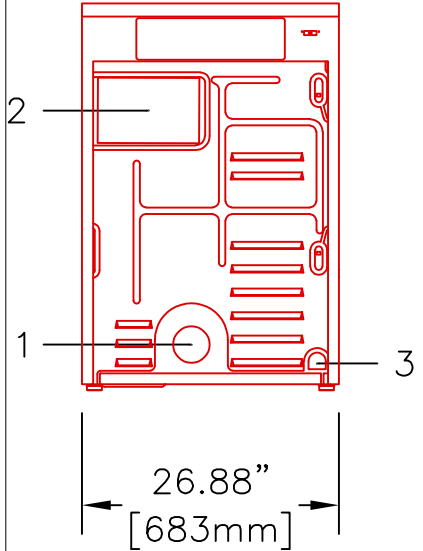
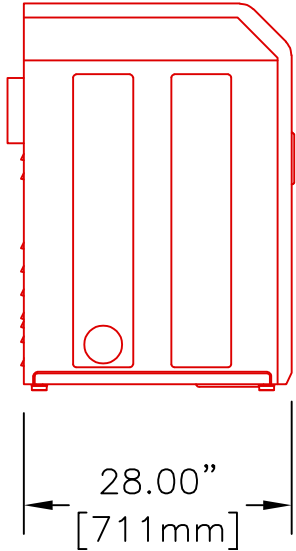


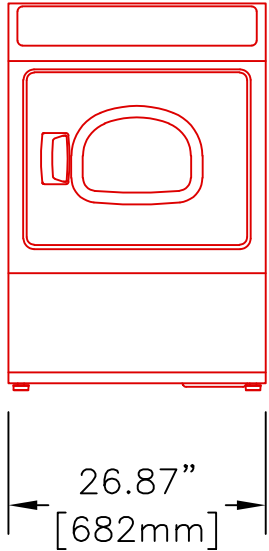
LEGEND:
 1: EXHAUST OUTLET (4")
 2: ELECTRICAL CONNECTIONS
 3: 3/8" NPT GAS CONNECTION
 (FOR GAS HEATED MODEL)



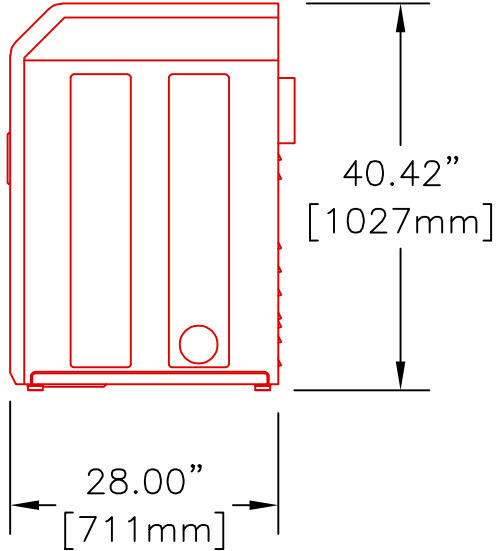
REAR VIEW



LEFT SIDE VIEW



FRONT VIEW



RIGHT SIDE VIEW

DRYER, FRONT CONTROL (UD*E5BGS)



Equipment specifications are subject to change without notice. Please use this drawing along with the installation manuals for updated equipment installation requirements.

| | | |
|----------|-------------|-----------|
| | | |
| KRP | CAD BLOCK | 13-Apr-22 |
| Drawn by | Description | Date |