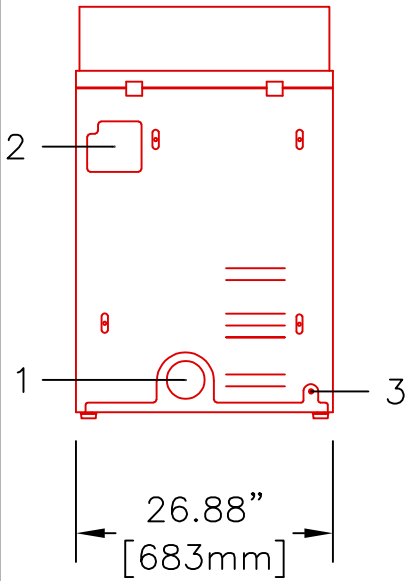
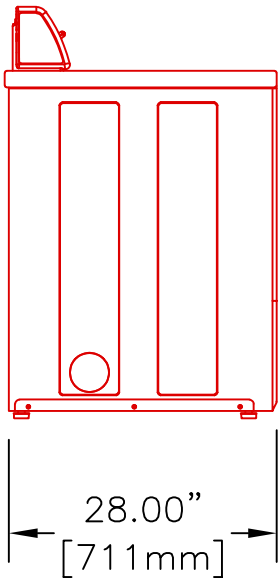


**PLAN VIEW**

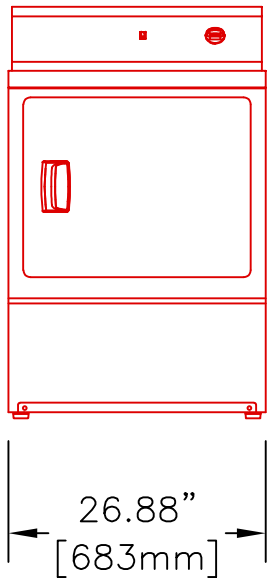
**LEGEND:**  
 1: EXHAUST OUTLET (4")  
 2: ELECTRICAL CONNECTIONS  
 3: 3/8" NPT GAS CONNECTION  
 (FOR GAS HEATED MODEL)



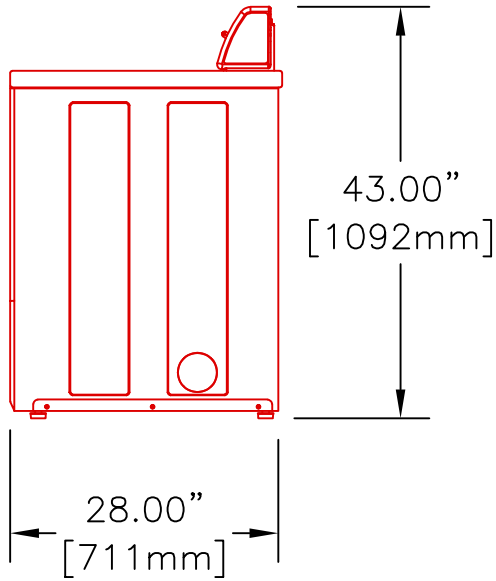
**REAR VIEW**



**LEFT SIDE VIEW**



**FRONT VIEW**



**RIGHT SIDE VIEW**

**DRYER, REAR CONTROL (UD\*MNRGS)**



Equipment specifications are subject to change without notice. Please use this drawing along with the installation manuals for updated equipment installation requirements.

KRP	CAD BLOCK	13-Apr-22
Drawn by	Description	Date