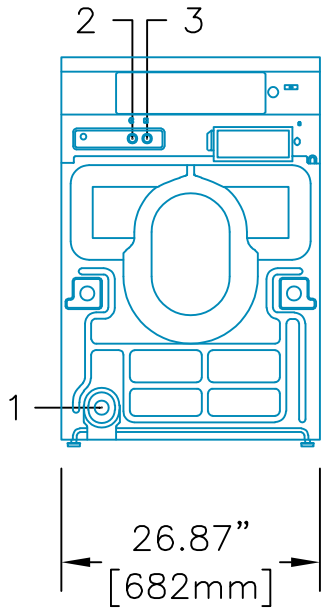
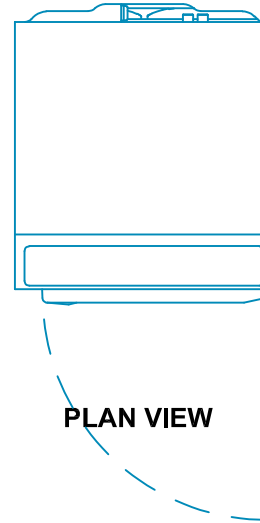
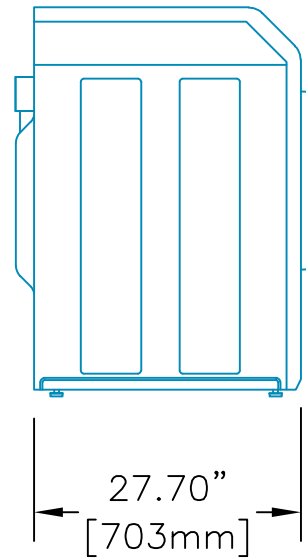


**LEGEND:**

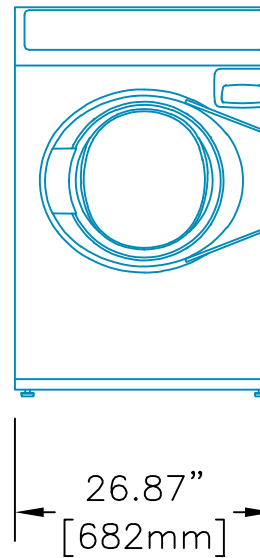
- 1: DRAIN OUTLET
- 2: COLD WATER VALVE
- 3: HOT WATER VALVE



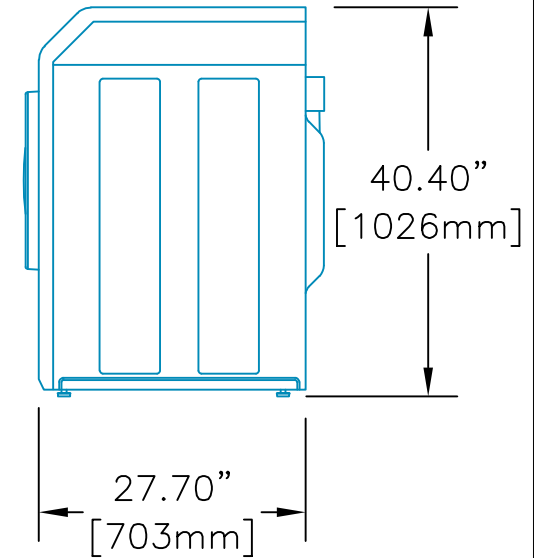
REAR VIEW



LEFT SIDE VIEW



FRONT VIEW



RIGHT SIDE VIEW

**FRONT LOAD WAEHER  
(UFNE5BJP)**



Equipment specifications are subject to change without notice. Please use this drawing along with the installation manuals for updated equipment installation requirements.

KRP	CAD BLOCK	11-Apr-22
Drawn by	Description	Date