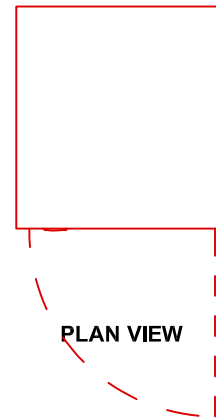
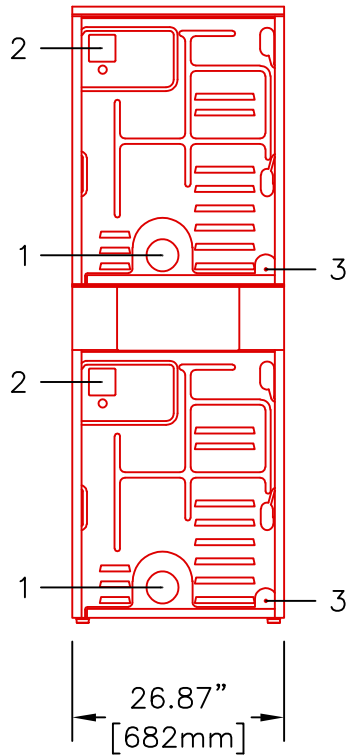


LEGEND:

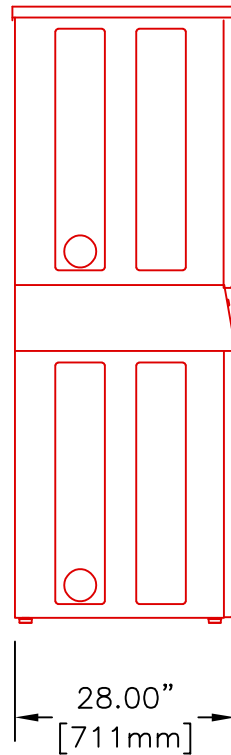
- 1: EXHAUST OUTLET (4")
- 2: ELECTRICAL CONNECTIONS
- 3: 3/8" NPT GAS CONNECTION
(FOR GAS HEATED MODEL)



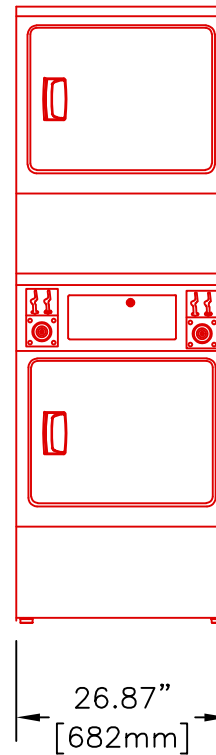
PLAN VIEW



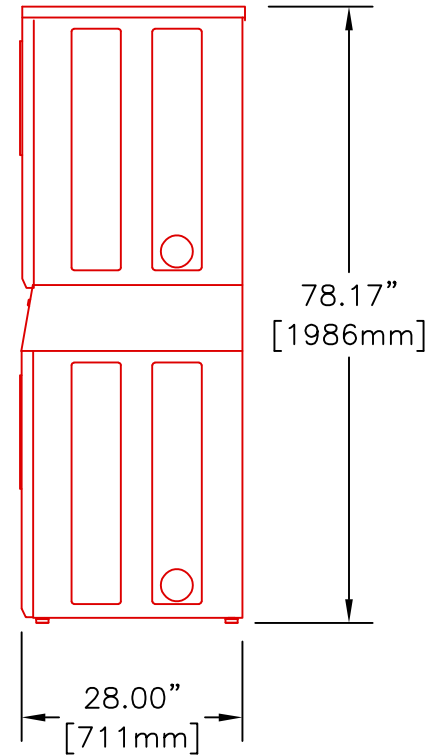
REAR VIEW



LEFT SIDE VIEW



FRONT VIEW



RIGHT SIDE VIEW

STACK DRYER (US*MNAGS)



Equipment specifications are subject to change without notice. Please use this drawing along with the installation manuals for updated equipment installation requirements.

KRP	CAD BLOCK	13-Apr-22
Drawn by	Description	Date