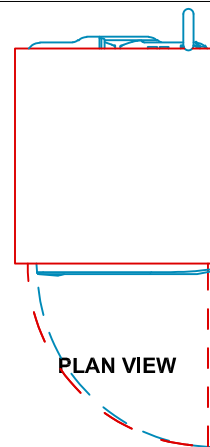
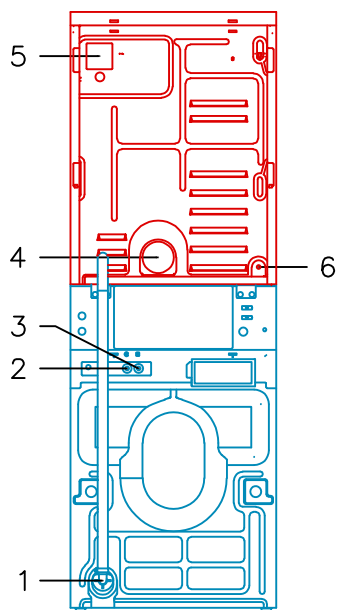


LEGEND:

- 1: PUMP DRAIN
- 2: COLD WATER VALVE
- 3: HOT WATER VALVE
- 4: 4" EXHAUST PORT
- 5: ELECTRICAL CONNECTIONS
- 6: 3/8" NPT GAS CONNECTION (GAS HEATED MODEL)

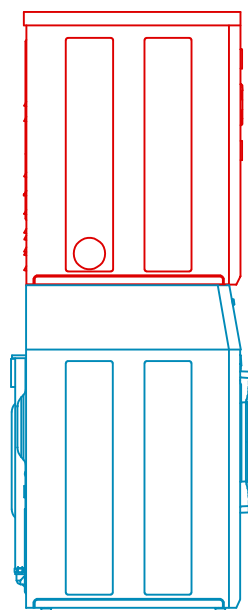


PLAN VIEW



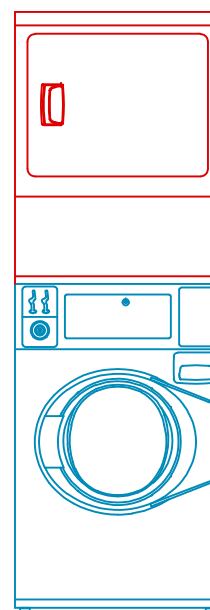
26.87"
[682mm]

REAR VIEW



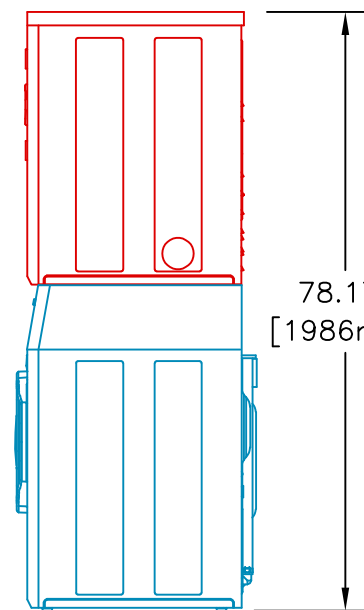
28.00"
[711mm]

LEFT SIDE VIEW



26.87"
[682mm]

FRONT VIEW



78.17"
[1986mm]

28.00"
[711mm]

RIGHT SIDE VIEW

STACK WASHER/ DRYER (UT*E5ASP)



Equipment specifications are subject to change without notice. Please use this drawing along with the installation manuals for updated equipment installation requirements.

KRP	CAD BLOCK	13-Apr-22
Drawn by	Description	Date