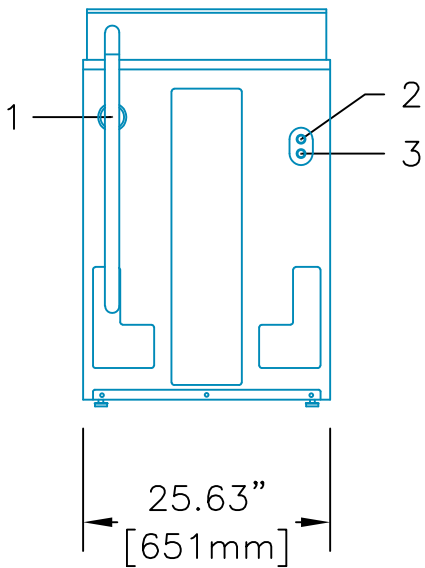


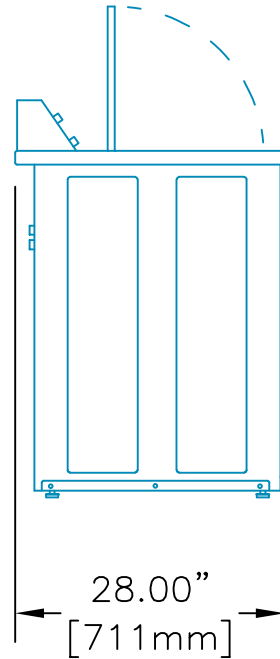
PLAN VIEW

LEGEND:

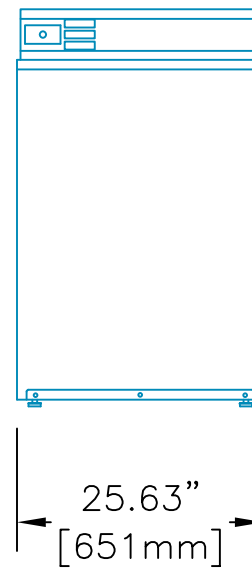
- 1: PUMP DRAIN
- 2: COLD WATER VALVE
- 3: HOT WATER VALVE



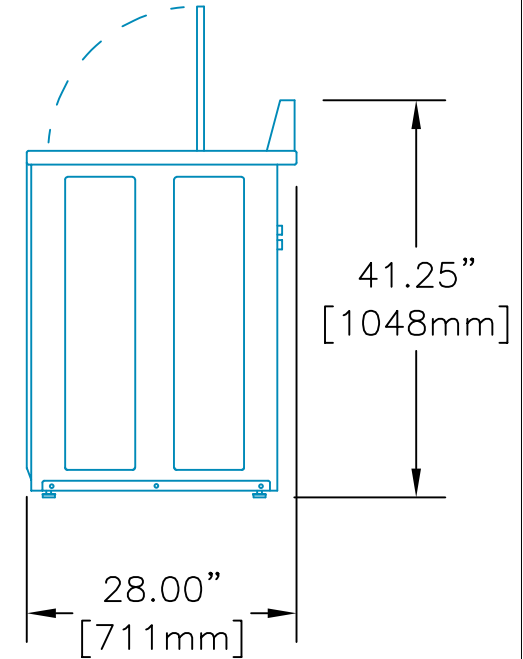
REAR VIEW



LEFT SIDE VIEW



FRONT VIEW



RIGHT SIDE VIEW

**TOP LOAD WASHER
(UWNMN2SP)**



Equipment specifications are subject to change without notice. Please use this drawing along with the installation manuals for updated equipment installation requirements.

KRP	CAD BLOCK	11-Apr-22
Drawn by	Description	Date