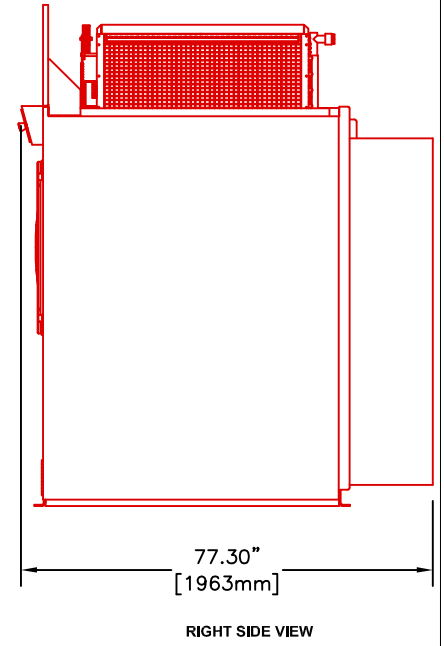
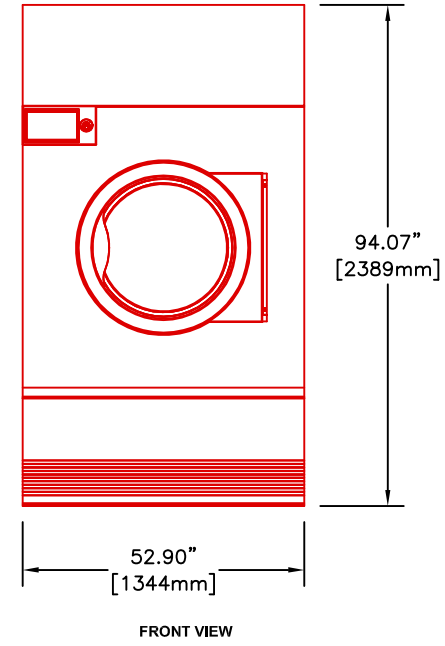
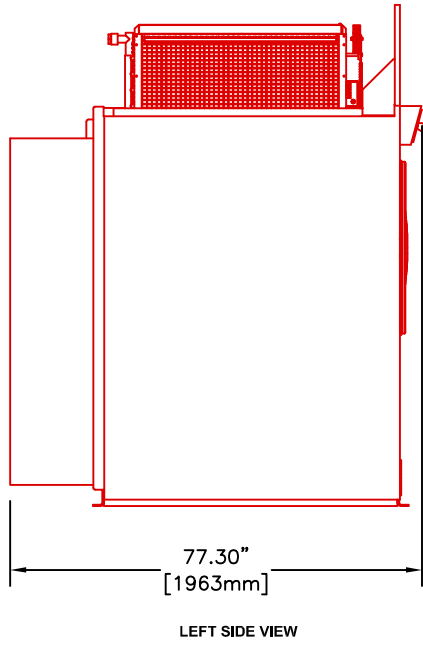
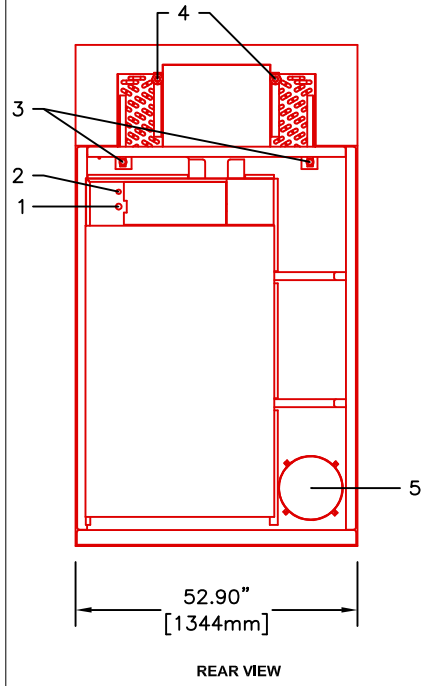
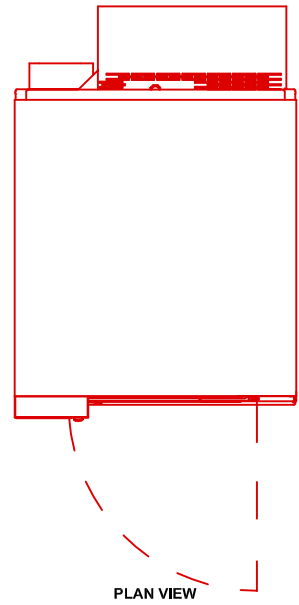


LEGEND:	
1:	1.125 ELECTRICAL
2:	0.875 ELECTRICAL
3:	STEAM OUTLETS
4:	STEAM INLETS
5:	EXHAUST OUTLET



# 200 LB. TUMBLE DRYER (STEAM HEATED)



Equipment specifications are subject to change without notice. Please use this drawing along with the installation manuals for updated equipment installation requirements.

KRP	CAD BLOCK	29-Mar-18
Drawn by	Description	Date