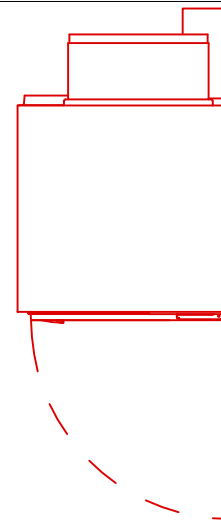
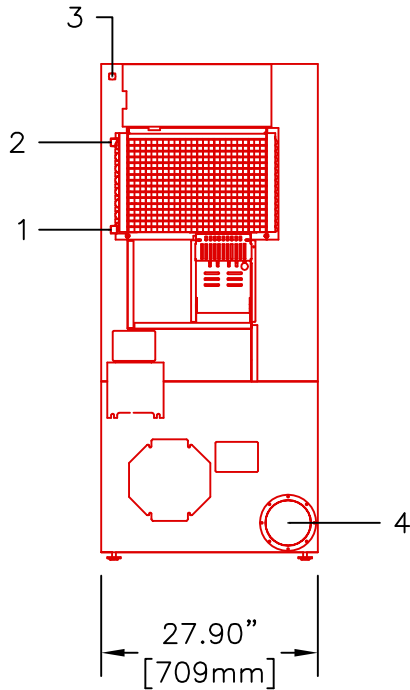


**LEGEND:**

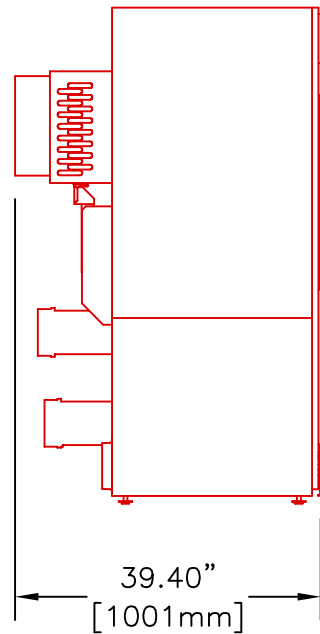
- 1: STEAM OUTLET
- 2: STEAM INLET
- 3: 0.875 ELECTRICAL
- 4: EXHAUST OUTLET



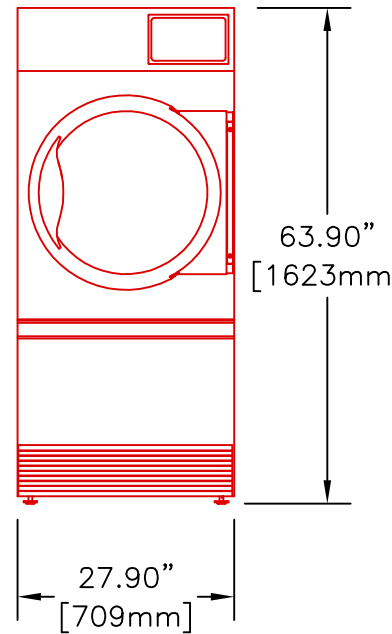
**PLAN VIEW**



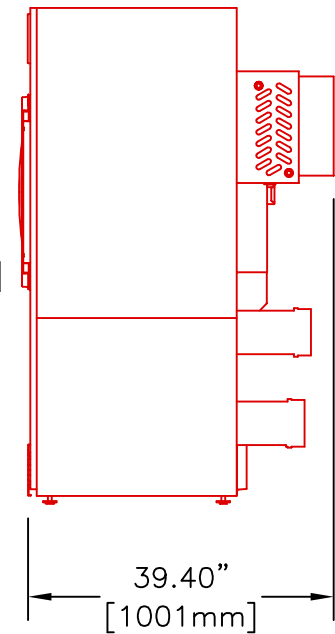
**REAR VIEW**



**LEFT SIDE VIEW**



**FRONT VIEW**



**RIGHT SIDE VIEW**

# 25 LB. TUMBLE DRYER (STEAM HEATED)



Equipment specifications are subject to change without notice. Please use this drawing along with the installation manuals for updated equipment installation requirements.

KRP	CAD BLOCK	6-Apr-18
Drawn by	Description	Date