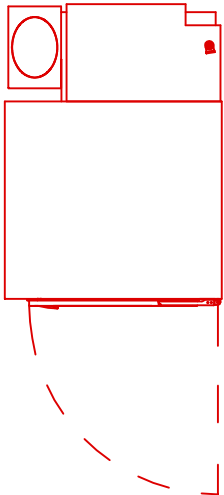
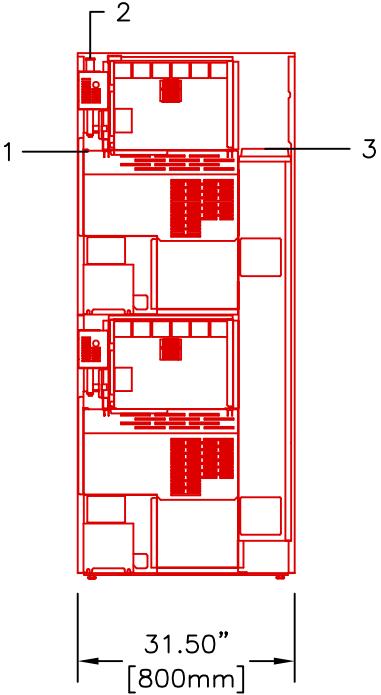


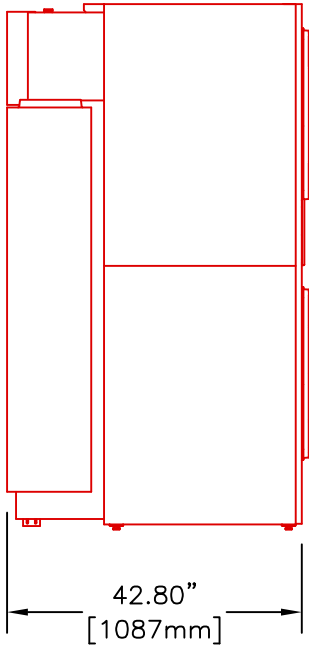
LEGEND:
1: 0.875 ELECTRICAL
2: GAS INLET
3: EXHAUST OUTLET



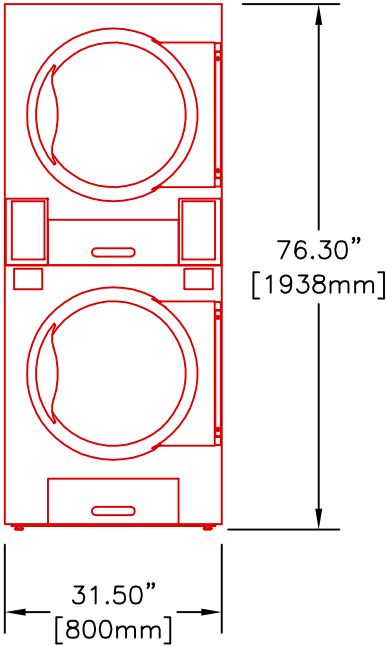
PLAN VIEW



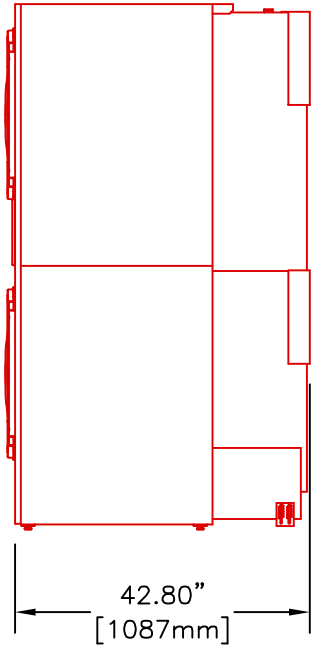
REAR VIEW



LEFT SIDE VIEW



FRONT VIEW



RIGHT SIDE VIEW

30 LB. STACK TUMBLE DRYER (GAS HEATED)



Equipment specifications are subject to change without notice. Please use this drawing along with the installation manuals for updated equipment installation requirements.

KRP	CAD BLOCK	5-Apr-18
Drawn by	Description	Date