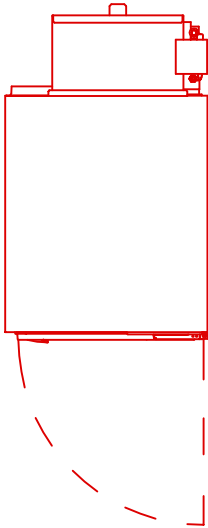
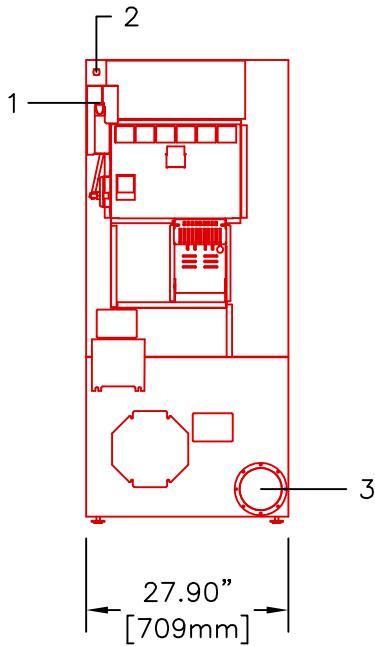


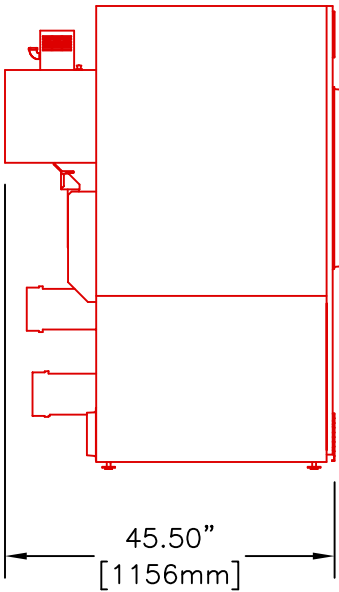
<b>LEGEND:</b>
1: GAS INLET
2: 0.875 ELECTRICAL
3: EXHAUST OUTLET



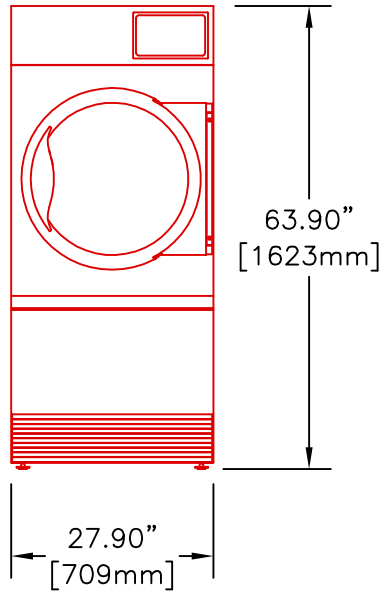
PLAN VIEW



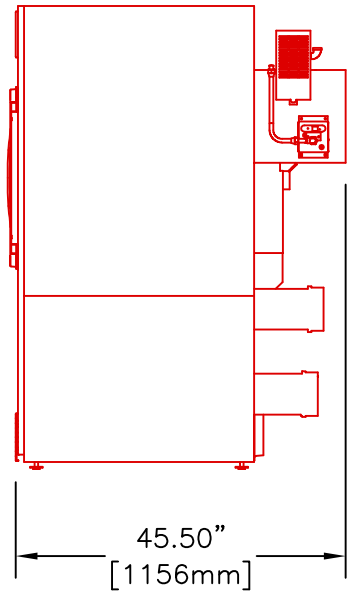
REAR VIEW



LEFT SIDE VIEW



FRONT VIEW



RIGHT SIDE VIEW

# 30 LB. TUMBLE DRYER (GAS HEATED)



Equipment specifications are subject to change without notice. Please use this drawing along with the installation manuals for updated equipment installation requirements.

KRP	CAD BLOCK	6-Apr-18
Drawn by	Description	Date