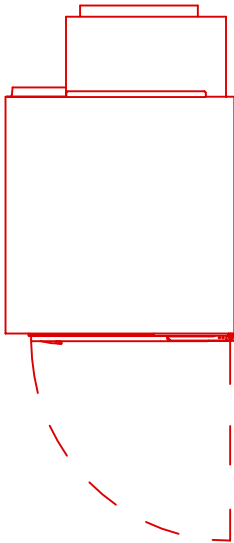
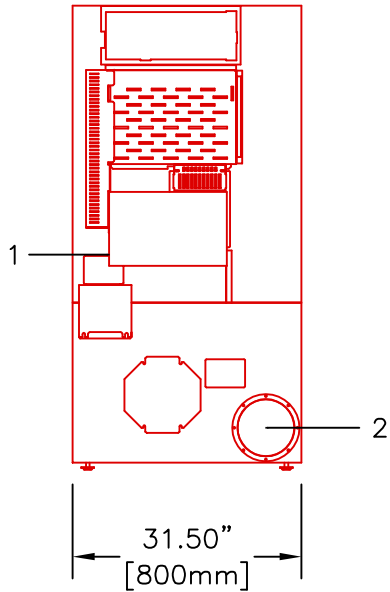


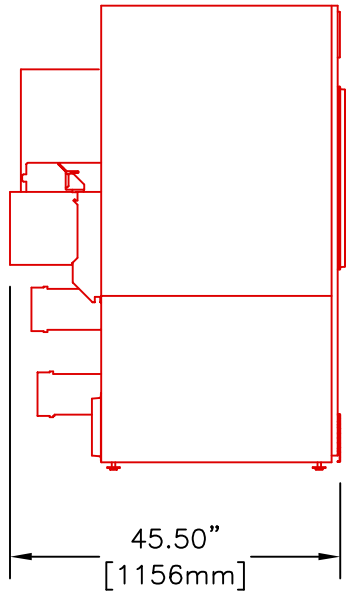
<b>LEGEND:</b>
1: 1.375 ELECTRICAL
2: EXHAUST OUTLET



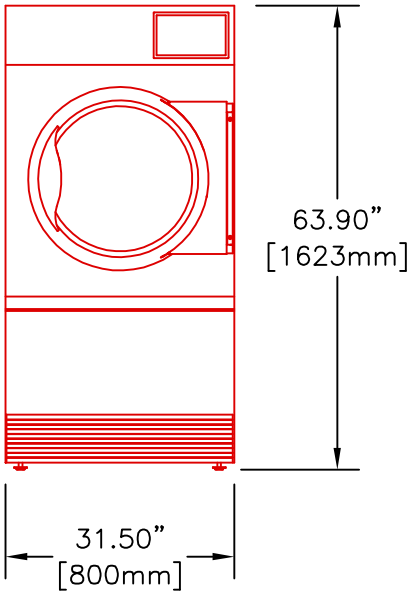
PLAN VIEW



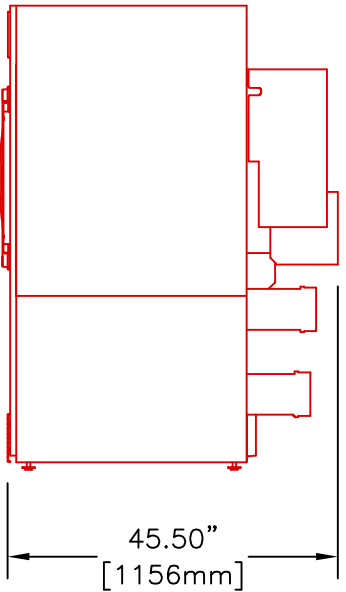
REAR VIEW



LEFT SIDE VIEW



FRONT VIEW



RIGHT SIDE VIEW

# 35 LB. TUMBLE DRYER (ELECTRIC HEATED)



Equipment specifications are subject to change without notice. Please use this drawing along with the installation manuals for updated equipment installation requirements.

KRP	CAD BLOCK	6-Apr-18
Drawn by	Description	Date